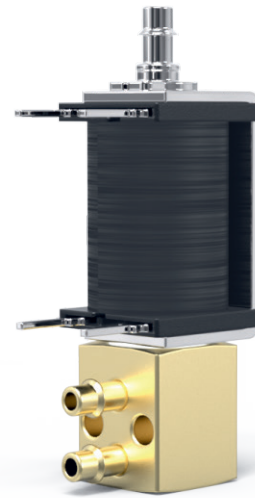


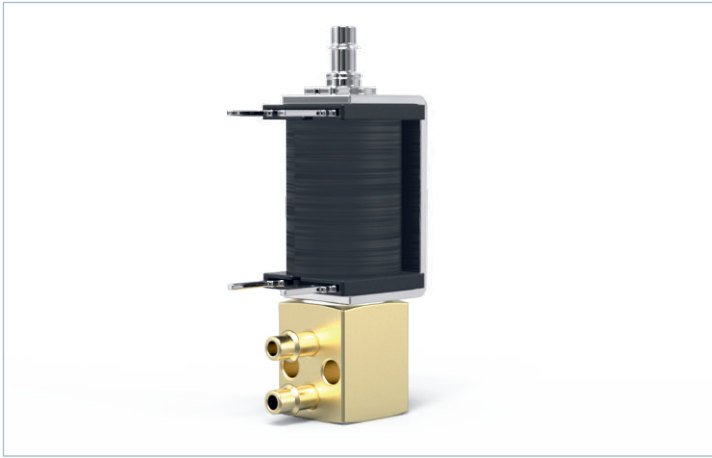
Automation  
 Simplified...



- Solenoid Valve
- Angle Seat Valve
- Rotary Coupling
- Pneumatic Directional Control Valve
- Actuator
- Cylinder
- One Touch Fitting
- Ball Valve
- Butterfly Valve

Country of Origin - INDIA

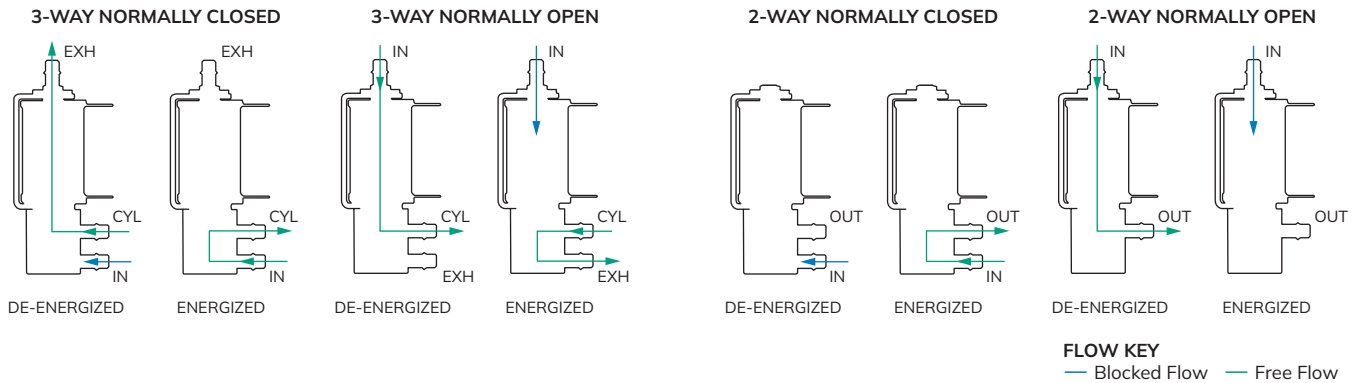
# 3/2 Way Direct Acting Universal Valve (NC / NO) - UMV Series



## Specifications

Port :	1/8" - Barb
Seal Matrial :	Nitrile (NBR)
Media Temp :	-30°C to 90°C
Operating Voltage :	5V DC
Power Consumption :	0.5 W
Media :	Air, Gas
Main Features :	Internal Parts are in superior corrosion resistance steel, (Equivalent to ss316L) Suitable for Food Industries, Pharmaceuticals, Chemical application & Highly Corrosive Environment.

සූചිතව විද්‍යාත්මකව



## Features

- Design for extreme low wattage condition with a compact size.
- High speed response time.
- Reliable operation over 200 million cycles.
- Lubrication not essential

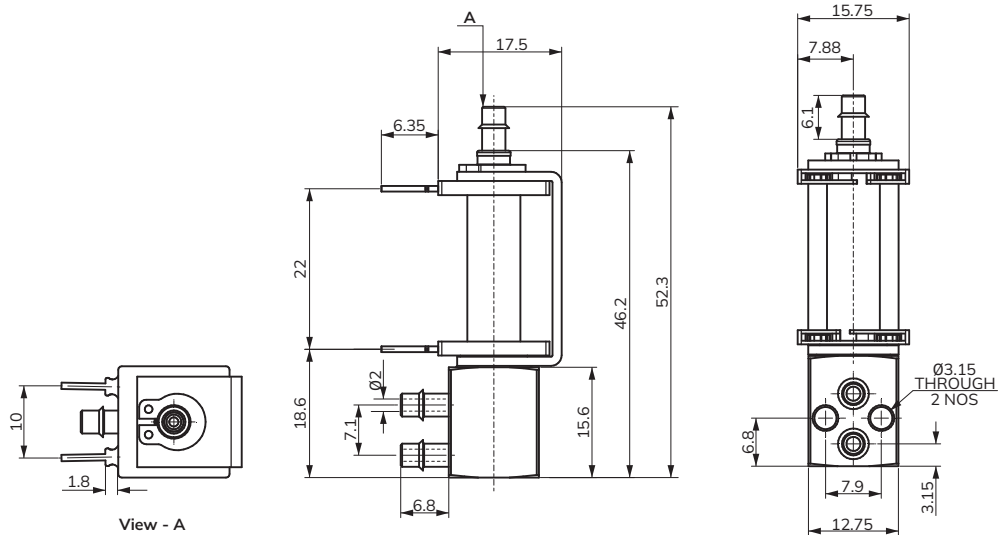
## Applications

- Medical and Therapeutic Healthcare
- Clinical Chemistry and Analysis Equipment
- Drop-on-Demand Printing
- Environmental Instrumentation

## Technical Data

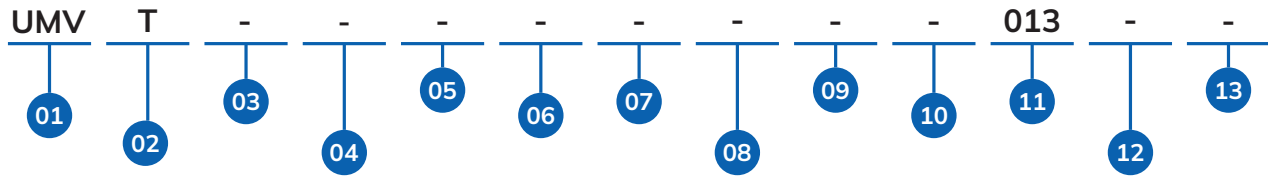
Valve Model No.	Coil Model No.	Body Material	Pipe (Inch)	Orifice (mm)	Min. Operating Pressure PSI	Max. Operating Pressure PSI	Seal Material	Flow Factor Cv
DAS-TR0345ZO013	R4E0AB	Brass	1/8" - Barb	1.3	0	10	Nitrile (NBR)	0.038

DIMENSIONS DRAWING (MM)



\* All dimensions are approx

# UMV - SERIES MINIATURE DIRECT ACTING SOLENOID VALVE MODEL CHART



01	SERIES
	UMV

02	PRODUCT TYPE
D	2 Way
T	3 Way

03	BODY MATERIAL
-	Brass Bar

04	SEAL MATERIAL
-	Nitrile
V	Viton

05	PORT SIZE
-	1/8"

06	PRESSURE RANGE
-	0 to 10 PSI

07	PORT CONNECTION
-	Barb

08	VALVE POSITION
-	Universal

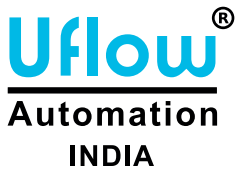
09	COIL DIA
-	5.5MM DC

10	FEATURES
-	Blank

11	ORIFICE IN MM
013	1.3 MM

12	CONFIGURATION
-	Regular
C1	CONFIG 1
C2	CONFIG 2
C3	CONFIG 3
⋮	⋮
C9	CONFIG 9
CA	CONFIG 10
CB	CONFIG 11

13	VERSION
-	VERSION 0
V1	VERSION 1
V2	VERSION 2
V3	VERSION 3
⋮	⋮
V9	VERSION 9
VA	VERSION 10
VB	VERSION 11



**UMV-T013**  
1/8" 3 WAY DIRECT ACTING BRASS BAR-NITRILE-0 TO 10 PSI-BARB-NO-5.5MM DC-1.3MM ORIFICE

Note : The above chart is for identification purposes only, and it may not be possible to make all combinations for the above chart.

# Global Presence...



Made In India



## CONTACT US:

For Domestic Inquiry

✉ [sales@uflowvalve.com](mailto:sales@uflowvalve.com) 📞 +91 85110 98822 🌐 [www.uflowvalve.com](http://www.uflowvalve.com)

For Export Inquiry

✉ [export@uflowvalve.com](mailto:export@uflowvalve.com) 📞 +91 99744 77370 📞 +91 78018 09550

📍 Uflow Automation, Ankur Industrial Complex, Survey No: 275/276, Plot No: 31, Nr. Intol Cast Pvt. Ltd. Shapar(Veraval) Dist.: Gujarat (India) - 360 024.