

**Angle Seat Valve with Steel Actuator Operated
(NC / NO) - YCP Series**

Automation
Simplified...



Solenoid Valve

Angle Seat Valve

Rotary Coupling

Pneumatic Directional Control Valve

Actuator

Cylinder

One Touch Fitting

Ball Valve

Butterfly Valve

Country of Origin - INDIA



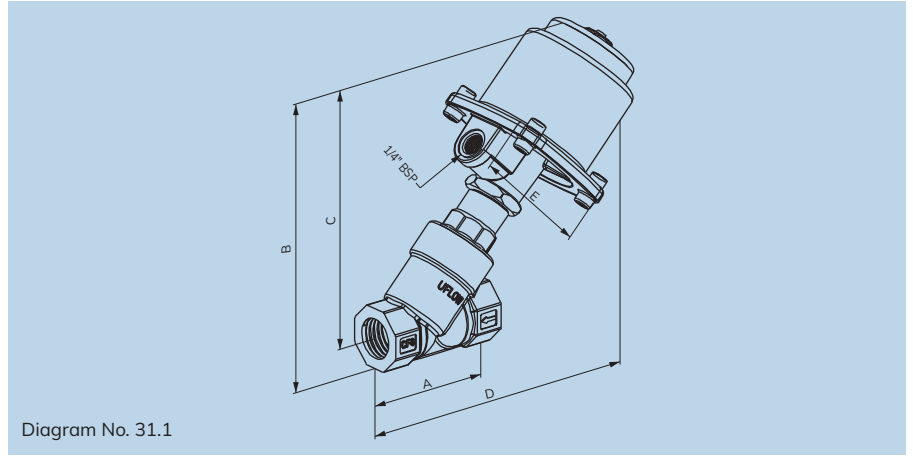
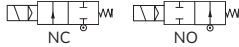


Diagram No. 31.1



Specifications

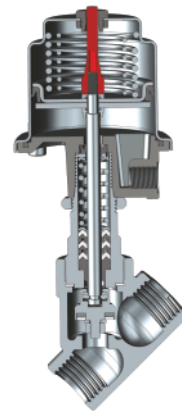
Port :	½", ¾", 1", 1¼", 1½" & 2" (Available in BSP/NPT)
End Connection :	Screwed / Flange / Tri-Clamp / Socket Weld
Body Material :	SS ASTM A351 Grade CF8 / CF8M / CF3M
Seal :	PTFE / VITON
Circumstance Temp :	-10°C to 70°C
Media Temp :	-10°C to 180°C
Media :	Steam, Air, Water, Chemical, Gases, Oil, Diesel, Hot Water
Other Specification Data:	Available on request - Adjust Stroke Limiter - Position Sensor

Dimension - NC (All dimensions in mm)

All Dimensions are approx.

Model No.	Port Size	Diagram No.	A	B	C	D	E
YCP-205NV1	½"	31.1	65	155	142	165	90
YCP-305NV1	¾"	31.1	77	161	145	171	90
YCP-405NV1	1"	31.1	89	182	162	190	90
YCP-505NV1	1¼"	31.1	110	198	174	209	90
YCP-605NV1	1½"	31.1	124	202	175	210	90
YCP-803NV1	2"	31.1	150	225	191	234	90

Section View



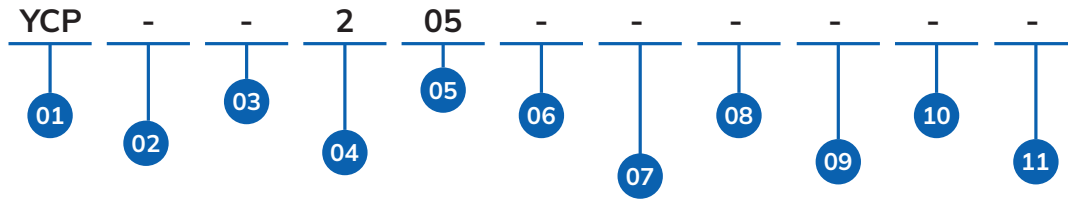
Actuator Type

Cover :	SS304
Plate :	Aluminium Die-Cast
Working Pressure :	3.5 to 7 bar air (Not Recommended actuator for pneumatic pressure above 7 bar)
Seal Material :	NBR / VITON
Life :	More than ten million cycle
Other Technical Data :	Available on Request

Technical Data

Model No.	Body Material	Pipe (Inch)	Orifice (mm)	Min. Operating Pressure Kg/cm ²	Max. Operating Pressure Kg/cm ²	Seal & 'O' Ring Material	Flow Factor Kv m ³ / hr
YCP-205NV1	CF8 / CF8M	½"	15	0	16	PTFE / VITON	6
YCP-305NV1	CF8 / CF8M	¾"	20	0	16	PTFE / VITON	10.9
YCP-405NV1	CF8 / CF8M	1"	25	0	16	PTFE / VITON	21
YCP-505NV1	CF8 / CF8M	1¼"	32	0	16	PTFE / VITON	35
YCP-605NV1	CF8 / CF8M	1½"	40	0	16	PTFE / VITON	49
YCP-803NV1	CF8 / CF8M	2"	50	0	07	PTFE / VITON	68

YCP - SERIES ANGLE SEAT VALVE WITH STEEL OPERATOR MODEL CHART



01	SERIES
	YCP

02	PRODUCT TYPE
-	Angle Seat Valve Steel Operator

03	BODY MATERIAL
-	CF8
M	CF8M
C	CF3M

04	PORT SIZE
2	1/2"
3	3/4"
4	1"
5	1-1/4"
6	1-1/2"
8	2"
8	2-1/2"

05	PRESSURE RANGE
11	0 - 25 Bar
14	0 - 3 Bar
17	0 - 60 Bar
21	0 - 20 Bar
02	0 - 2 Bar
03	0 - 7 Bar
04	0 - 10 Bar
05	0 - 16 Bar

06	OPERATOR SIZE
-	70mm
1	100mm
2	120mm

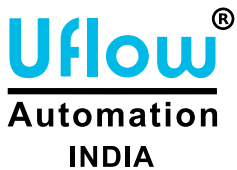
07	PORT CONNECTION
-	BSP
N	NPT
F	Flange End
T	Tri Clover End
G	BSP With SW
P	BSPT
S	Socket

08	VALVE POSITION
-	NC Above
M	NO Above
-	NC Below
M	NO Below
-	BI Directional NC
M	BI Directional NO

09	VALVE POSITION
-	No Approval

10	CONFIGURATION
-	REGULAR
C1	CONFIG 1
C2	CONFIG 2
C3	CONFIG 3
⋮	⋮
C9	CONFIG 9
CA	CONFIG 10
CB	CONFIG 11

11	VERSION
-	VERSION 0
V1	VERSION 1
V2	VERSION 2
V3	VERSION 3
⋮	⋮
V9	VERSION 9
VA	VERSION 10
VB	VERSION 11



YCP-205N
 1/2" ANGLE SEAT VALVE STEEL OPERATOR CF8-PTFE-0 TO 16 Bar-
 70MM OPERATOR-BSP-NC ABOVE

Note : The above chart is for identification purposes only, and it may not be possible to make all combinations for the above chart.

Global Presence...



Made In India



CONTACT US:

For Domestic Inquiry

✉ sales@uflowvalve.com 📞 +91 85110 98822 🌐 www.uflowvalve.com

For Export Inquiry

✉ export@uflowvalve.com 📞 +91 99744 77370 📞 +91 78018 09550

📍 Uflow Automation, Ankur Industrial Complex, Survey No: 275/276, Plot No: 31, Nr. Intol Cast Pvt. Ltd. Shapar(Veraval) Dist.: Gujarat (India) - 360 024.