

Automation
Simplified...



Solenoid Valve

Angle Seat Valve

Rotary Coupling

Pneumatic Directional Control Valve

Actuator

Cylinder

One Tuch Fitting

Ball Valve

Butterfly Valve

Country of Origin - INDIA



Specifications

Fluid :	Air
Max. operating pressure :	10 Bar
Ambient temperature :	-10°C to +60°C
Threaded connection :	Male : R - Taper thread, Female : G - Parallel thread
Media temperature :	+5°C to 50°C
Applicable tube material :	Nylon, Polyurethane
Applicable tube size (OD) :	Ø4, Ø6, Ø8, Ø10, Ø12, Ø14, Ø16
Recommended tolerance for tube OD :	±0.1 mm
Recommended minimum wall thickness of tubes :	

Nylon		PU	
Tube OD (mm)	Thickness (mm)	Tube OD (mm)	Thickness (mm)
Ø4	1	Ø4	1
Ø6		Ø6	1
Ø8		Ø8	1.5
Ø10		Ø10	1.5
Ø12		Ø12	2
Ø14		Ø14	2
Ø16		Ø16	2.5

Features

- ☑ Compact & Captivating Design
- ☑ All Threaded nipples has plastic portion that is capable of rotating 360°
- ☑ Full bore piping enables smooth flow of fluids.
- ☑ New Design SS collet
- ☑ Air tight sealing of tubes
- ☑ Compatible with both Nylon & PU pipes
- ☑ Male Taper threads with PTFE coating
- ☑ Durable & Maintenance free
- ☑ Robust collet design lets the fitment & function remains unaffected even due to vibration.
- ☑ Simple & fast connection of tube just by plugging-in manually and similarly smooth way of pulling-out just by the press of plastic collet cap.

Features

One-touch fitting can be effectively used in all compressed air applications
Some of the pneumatic application include

- ☑ Pneumatic cylinders (all types)
- ☑ All compressed air lines, machinery of all kinds wherever pneumatic systems are used
- ☑ Directional control valves(DCV), solenoid valves(SOV) and other valves
- ☑ Pneumatic control & circuit panels
- ☑ Air preparation units like filter, regulator and lubricators(FRL)

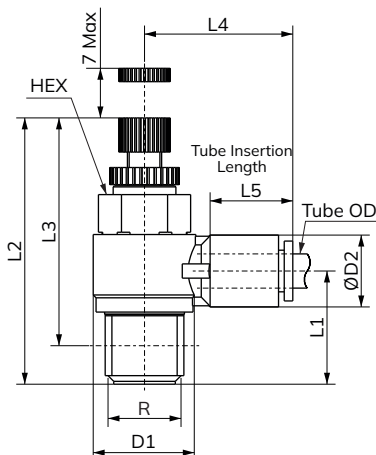
Flow Control - M Series



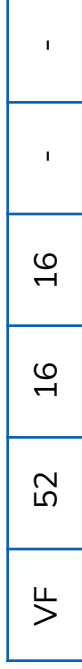
Technical Data

Model No.	Thread R	Tube OD	Hex	L1	L2	L3	L4	L5	ØD1	ØD2	Free Flow Min. Lts/min	Free Flow Min. Lts/min
VF5204B		4		15.5	39	35.5	22	14.5	13.5	10.5	100	100
VF5206B	R1/8	6	12	16	39	35.5	23	15.5	13.5	12.5	200	140
VF5208B		8		18	39	35.5	27	17	13.5	15	200	140
VF5206C		6		20.5	47	41.5	25	15.5	18	12.5	400	350
VF5208C	R1/4	8	14	21	47	41.5	27.5	17	18	15	550	420
VF5210C		10		23	47	41.5	32.5	20	18	18.5	650	450
VF5208D		8		25	53	47	29.5	17	22	15	1100	930
VF5210D	R3/8	10	19	26	53	47	34.5	20	22	18.5	1300	1000
VF5212D		12		27	53	47	36	20.5	22	21	1400	1050
VF5208E		8		27.5	57	49.5	32.5	17	28	15	1400	1250
VF5210E	R1/2	10	24	28.5	57	49.5	36.5	20	28	18.5	1750	1500
VF5212E		12		29.5	57	49.5	37.5	20.5	28	21	1900	1600

Dimension Drawing (All dimensions in mm)



ONE TOUCH FITTINGS IDENTIFICATION CHART



PRODUCT TYPE	PRODUCT SUB TYPE	PRODUCT SUB TYPE	APPLICABLE TUBING OD	APPLICABLE TUBING OD	APPLICABLE TUBING OD	APPLICABLE TUBING OD	APPLICABLE TUBING OD
VO	One Touch Fitting	21 Straight Union	41 Male Connector (Internal Hexagon Socket)	16 With Applicable Tubing OD Ø16MM	Blank	Blank	Blank
VS	Self Sealing Fitting	22 Different Dia. Straight Union	42 Single Swivel (Internal Hexagon Socket)	14 With Applicable Tubing OD Ø14MM	16 TO Ø16MM	16 TO Ø16MM	A M5X0.8
VF	Flow Control	23 Union Elbow	43 Single Swivel (Slotted Head)	12 With Applicable Tubing OD Ø12MM	14 TO Ø14MM	14 TO Ø14MM	B R 1/8
		24 Union Elbow Reducer	44 Single Swivel (Hexagon Head)	10 With Applicable Tubing OD Ø10MM	12 TO Ø12MM	12 TO Ø12MM	C R 1/4
		25 Union Tee	45 Double Swivel	08 With Applicable Tubing OD Ø08MM	10 TO Ø10MM	10 TO Ø10MM	D R 3/8
		26 Union Tee Reducer	46 Triple Swivel	06 With Applicable Tubing OD Ø06MM	08 TO Ø08MM	08 TO Ø08MM	E R 1/2
		27 Union 'Y'	47 Multi Distributor Union	04 With Applicable Tubing OD Ø04MM	06 TO Ø06MM	06 TO Ø06MM	F 1/8
		28 Union 'Y' Reducer	48 Multi Distributor Male		04 TO Ø04MM	04 TO Ø04MM	G 1/4
		29 Bulk Head Union	49 Cross Union				H 3/4
		30 Male Connector	50 Plug				I 3/8
		31 Bulk Head Female Connector	51 Flow Control Inline Type				J 1/2
		32 Female Connector	52 Flow Control Regular				K 1
		33 Male Elbow					
		34 Extended Male Elbow					
		35 Female Elbow					
		36 Male Branch Tee					
		37 Female Branch Tee					
		38 Male Run Tee					
		39 Female Run Tee					
		40 Male Branch 'y'					

VF521616
FLOW CONTROL REGULAR TYPE CONNECTOR WITH APPLICABLE TUBING OD Ø16MM TO Ø16MM

Global Presence...



Made In India



CONTACT US:

✉ sales@uflowvalve.com ☎ +91 89059 07070 📞 +91-2827-254343 🌐 www.uflowvalve.com

📍 Uflow Automation, Ankur Industrial Complex, Sur vey No: 275/276, Plot No: 31, Nr. Intol Cast Pvt. Ltd. Shapar(Veraval) Dist.: Gujarat (India) - 360 024.