

Automation  
Simplified...



Solenoid Valve

Angle Seat Valve

Rotary Coupling

Pneumatic Directional Control Valve

Actuator

Cylinder

One Tuch Fitting

Ball Valve

Butterfly Valve

**Specifications**

<b>Fluid :</b>	Air
<b>Max. operating pressure :</b>	10 Bar
<b>Ambient temperature :</b>	-10°C to +60°C
<b>Threaded connection :</b>	Male : R - Taper thread, Female : G - Parallel thread
<b>Media temperature :</b>	+5°C to 50°C
<b>Applicable tube material :</b>	Nylon, Polyurethane
<b>Applicable tube size (OD) :</b>	Ø4, Ø6, Ø8, Ø10, Ø12, Ø14, Ø16
<b>Recommended tolerance for tube OD :</b>	±0.1 mm
<b>Recommended minimum wall thickness of tubes :</b>	

Nylon		PU	
Tube OD (mm)	Thickness (mm)	Tube OD (mm)	Thickness (mm)
Ø4	1	Ø4	1
Ø6		Ø6	1
Ø8		Ø8	1.5
Ø10		Ø10	1.5
Ø12		Ø12	2
Ø14		Ø14	2
Ø16		Ø16	2.5

**Features**

- ☑ Compact & Captivating Design
- ☑ All Threaded nipples has plastic portion that is capable of rotating 360°
- ☑ Full bore piping enables smooth flow of fluids.
- ☑ New Design SS collet
- ☑ Air tight sealing of tubes
- ☑ Compatible with both Nylon & PU pipes
- ☑ Male Taper threads with PTFE coating
- ☑ Durable & Maintenance free
- ☑ Robust collet design lets the fitment & function remains unaffected even due to vibration.
- ☑ Simple & fast connection of tube just by plugging-in manually and similarly smooth way of pulling-out just by the press of plastic collet cap.

**Features**

One-touch fitting can be effectively used in all compressed air applications  
Some of the pneumatic application include

- ☑ Pneumatic cylinders (all types)
- ☑ All compressed air lines, machinery of all kinds wherever pneumatic systems are used
- ☑ Directional control valves(DCV), solenoid valves(SOV) and other valves
- ☑ Pneumatic control & circuit panels
- ☑ Air preparation units like filter, regulator and lubricators(FRL)

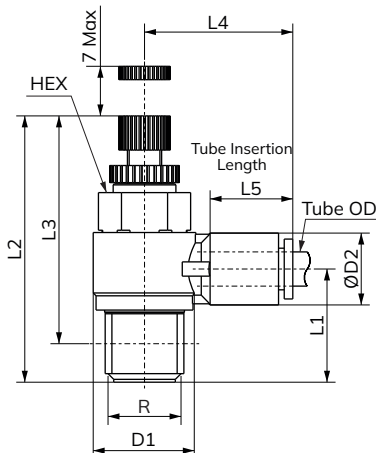
**Flow Control - R Series**



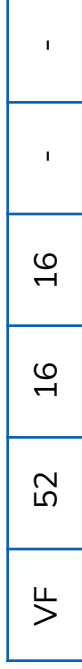
**Technical Data**

Model No.	Thread R	Tube OD	Hex	L1	L2	L3	L4	L5	ØD1	ØD2	Free Flow Min. Lts/min	Free Flow Min. Lts/min
VF5204B		4		15.5	39	35.5	22	14.5	13.5	10.5	100	100
VF5206B	R1/8	6	12	16	39	35.5	23	15.5	13.5	12.5	200	140
VF5208B		8		18	39	35.5	27	17	13.5	15	200	140
VF5206C		6		20.5	47	41.5	25	15.5	18	12.5	400	350
VF5208C	R1/4	8	14	21	47	41.5	27.5	17	18	15	550	420
VF5210C		10		23	47	41.5	32.5	20	18	18.5	650	450
VF5208D		8		25	53	47	29.5	17	22	15	1100	930
VF5210D	R3/8	10	19	26	53	47	34.5	20	22	18.5	1300	1000
VF5212D		12		27	53	47	36	20.5	22	21	1400	1050
VF5208E		8		27.5	57	49.5	32.5	17	28	15	1400	1250
VF5210E	R1/2	10	24	28.5	57	49.5	36.5	20	28	18.5	1750	1500
VF5212E		12		29.5	57	49.5	37.5	20.5	28	21	1900	1600

**Dimension Drawing** (All dimensions in mm)



# ONE TOUCH FITTINGS IDENTIFICATION CHART



PRODUCT TYPE	PRODUCT SUB TYPE	PRODUCT SUB TYPE	APPLICABLE TUBING OD	APPLICABLE TUBING OD	APPLICABLE TUBING OD	APPLICABLE TUBING OD	APPLICABLE TUBING OD				
VO	One Touch Fitting	21	Straight Union	41	Male Connector (Internal Hexagon Socket)	16	With Applicable Tubing OD Ø16MM	Blank	-	Blank	-
VS	Self Sealing Fitting	22	Different Dia. Straight Union	42	Single Swivel (Internal Hexagon Socket)	14	With Applicable Tubing OD Ø14MM	16	TO Ø16MM	16	TO Ø16MM
VF	Flow Control	23	Union Elbow	43	Single Swivel (Slotted Head)	12	With Applicable Tubing OD Ø12MM	14	TO Ø14MM	14	TO Ø14MM
		24	Union Elbow Reducer	44	Single Swivel (Hexagon Head)	10	With Applicable Tubing OD Ø10MM	12	TO Ø12MM	12	TO Ø12MM
		25	Union Tee	45	Double Swivel	08	With Applicable Tubing OD Ø08MM	10	TO Ø10MM	10	TO Ø10MM
		26	Union Tee Reducer	46	Triple Swivel	06	With Applicable Tubing OD Ø06MM	08	TO Ø08MM	08	TO Ø08MM
		27	Union 'Y'	47	Multi Distributor Union	04	With Applicable Tubing OD Ø04MM	06	TO Ø06MM	06	TO Ø06MM
		28	Union 'Y' Reducer	48	Multi Distributor Male			04	TO Ø04MM	04	TO Ø04MM
		29	Bulk Head Union	49	Cross Union						
		30	Male Connector	50	Plug						
		31	Bulk Head Female Connector	51	Flow Control Inline Type						
		32	Female Connector	52	Flow Control Regular						
		33	Male Elbow								
		34	Extended Male Elbow								
		35	Female Elbow								
		36	Male Branch Tee								
		37	Female Branch Tee								
		38	Male Run Tee								
		39	Female Run Tee								
		40	Male Branch 'Y'								

VF521616  
FLOW CONTROL REGULAR TYPE CONNECTOR WITH APPLICABLE TUBING OD Ø16MM TO Ø16MM

# Global Presence...



Made In India



## CONTACT US:

✉ [sales@uflowvalve.com](mailto:sales@uflowvalve.com)    ☎ +91 89059 07070    📞 +91-2827-254343    🌐 [www.uflowvalve.com](http://www.uflowvalve.com)

📍 Uflow Automation, Ankur Industrial Complex, Sur vey No: 275/276, Plot No: 31, Nr. Intol Cast Pvt. Ltd. Shapar( Veraval) Dist.: Gujarat (India) - 360 024.