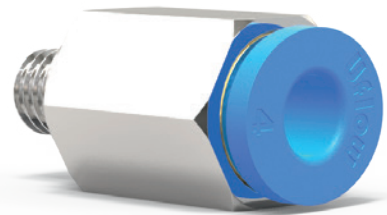


Automation  
 Simplified...



Solenoid Valve

Angle Seat Valve

Rotary Coupling

Pneumatic Directional Control Valve

Actuator

Cylinder

One Tuch Fitting

Ball Valve

Butterfly Valve

Country of Origin - INDIA



Specifications

<b>Fluid :</b>	Air																														
<b>Max. operating pressure :</b>	10 Bar																														
<b>Ambient temperature :</b>	-10°C to +60°C																														
<b>Threaded connection :</b>	Male : R - Taper thread, Female : G - Parallel thread																														
<b>Media temperature :</b>	+5°C to 50°C																														
<b>Applicable tube material :</b>	Nylon, Polyurethane																														
<b>Applicable tube size (OD) :</b>	Ø4, Ø6, Ø8, Ø10, Ø12, Ø14, Ø16																														
<b>Recommended tolerance for tube OD :</b>	±0.1 mm																														
<b>Recommended minimum wall thickness of tubes :</b>	<table border="1"> <thead> <tr> <th colspan="2">Nylon</th> <th colspan="2">PU</th> </tr> <tr> <th>Tube OD (mm)</th> <th>Thickness (mm)</th> <th>Tube OD (mm)</th> <th>Thickness (mm)</th> </tr> </thead> <tbody> <tr> <td>Ø4</td> <td rowspan="7">1</td> <td>Ø4</td> <td>1</td> </tr> <tr> <td>Ø6</td> <td>Ø6</td> <td>1</td> </tr> <tr> <td>Ø8</td> <td>Ø8</td> <td>1.5</td> </tr> <tr> <td>Ø10</td> <td>Ø10</td> <td>1.5</td> </tr> <tr> <td>Ø12</td> <td>Ø12</td> <td>2</td> </tr> <tr> <td>Ø14</td> <td>Ø14</td> <td>2</td> </tr> <tr> <td>Ø16</td> <td>Ø16</td> <td>2.5</td> </tr> </tbody> </table>	Nylon		PU		Tube OD (mm)	Thickness (mm)	Tube OD (mm)	Thickness (mm)	Ø4	1	Ø4	1	Ø6	Ø6	1	Ø8	Ø8	1.5	Ø10	Ø10	1.5	Ø12	Ø12	2	Ø14	Ø14	2	Ø16	Ø16	2.5
Nylon		PU																													
Tube OD (mm)	Thickness (mm)	Tube OD (mm)	Thickness (mm)																												
Ø4	1	Ø4	1																												
Ø6		Ø6	1																												
Ø8		Ø8	1.5																												
Ø10		Ø10	1.5																												
Ø12		Ø12	2																												
Ø14		Ø14	2																												
Ø16		Ø16	2.5																												

Features

- Compact & Captivating Design
- All Threaded nipples has plastic portion that is capable of rotating 360°
- Full bore piping enables smooth flow of fluids.
- New Design SS collet
- Air tight sealing of tubes
- Compatible with both Nylon & PU pipes
- Male Taper threads with PTFE coating
- Durable & Maintenance free
- Robust collet design lets the fitment & function remains unaffected even due to vibration.
- Simple & fast connection of tube just by plugging-in manually and similarly smooth way of pulling-out just by the press of plastic collet cap.

Features

One-touch fitting can be effectively used in all compressed air applications  
Some of the pneumatic application include

- Pneumatic cylinders (all types)
- All compressed air lines, machinery of all kinds wherever pneumatic systems are used
- Directional control valves(DCV), solenoid valves(SOV) and other valves
- Pneumatic control & circuit panels
- Air preparation units like filter, regulator and lubricators(FRL)

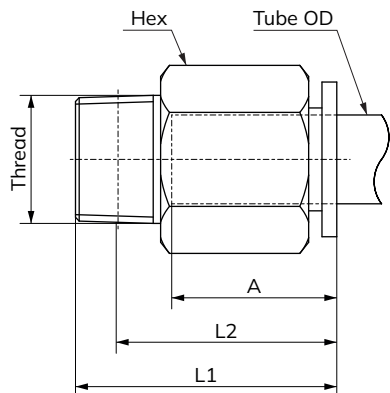
Male Connector



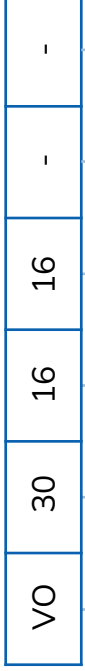
Technical Data

Model No.	Tube OD	Thread	Hex	L1	L2	A
VO3004A	4	M5 x 0.8	10	21.2	17.2	14.4
VO3004C		R1/4	14	18.2	12.7	14.4
VO3004B		R1/8	10	21.7	18	14.4
VO3006A	6	M5 x 0.8	12	21.5	17.5	15.3
VO3006C		R1/4	14	25	19.75	16.3
VO3006B		R1/8	12	22.5	19	16.3
VO3006D		R3/8	17	20	14.74	16.3
VO3008E	8	R1/2	22	25	18	17
VO3008C		R1/4	14	27	21.75	17
VO3008B		R1/8	14	25	21	16.7
VO3008D		R3/8	17	23	16.5	16.7
VO3010E	10	R1/2	22	25.4	17.9	18.7
VO3010C		R1/4	17	29.9	23.9	19.7
VO3010D		R3/8	17	29.9	23.9	19.7
VO3012E	12	R1/2	22	32.8	25.3	22.3
VO3212C		R1/4	22	36.8	30.8	22.3
VO3212D		R3/8	22	35.3	29.55	22.3
VO3212J		1/2	22	32.8	25.3	22.3
VO3012G	12	1/4	22	36.8	30.8	22.3
VO3012I		3/8	22	35.3	29.46	22.3
VO3014J		1/2	24	33.8	26.3	22.2
VO3014H	14	3/4	27	33.8	26.3	22.2
VO3016J		1/2	24	38.3	30.3	23.7
VO3016H	16	3/4	27	32.3	23.8	21.7
VO3016K		1	36	38.3	28.8	23.7

Dimension Drawing (All dimensions in mm)



# ONE TOUCH FITTINGS IDENTIFICATION CHART



PRODUCT TYPE	PRODUCT SUB TYPE	PRODUCT SUB TYPE	APPLICABLE TUBING OD	APPLICABLE TUBING OD	APPLICABLE TUBING OD	APPLICABLE TUBING OD	APPLICABLE TUBING OD				
VO	One Touch Fitting	21	Straight Union	41	Male Connector (Internal Hexagon Socket)	16	With Applicable Tubing OD Ø16MM	Blank	-	Blank	-
VS	Self Sealing Fitting	22	Different Dia. Straight Union	42	Single Swivel (Internal Hexagon Socket)	14	With Applicable Tubing OD Ø14MM	16	TO Ø16MM	16	TO Ø16MM
VF	Flow Control	23	Union Elbow	43	Single Swivel (Slotted Head)	12	With Applicable Tubing OD Ø12MM	14	TO Ø14MM	14	TO Ø14MM
		24	Union Elbow Reducer	44	Single Swivel (Hexagon Head)	10	With Applicable Tubing OD Ø10MM	12	TO Ø12MM	12	TO Ø12MM
		25	Union Tee	45	Double Swivel	08	With Applicable Tubing OD Ø08MM	10	TO Ø10MM	10	TO Ø10MM
		26	Union Tee Reducer	46	Triple Swivel	06	With Applicable Tubing OD Ø06MM	08	TO Ø08MM	08	TO Ø08MM
		27	Union 'Y'	47	Multi Distributor Union	04	With Applicable Tubing OD Ø04MM	06	TO Ø06MM	06	TO Ø06MM
		28	Union 'Y' Reducer	48	Multi Distributor Male			04	TO Ø04MM	04	TO Ø04MM
		29	Bulk Head Union	49	Cross Union						
		30	Male Connector	50	Plug						
		31	Bulk Head Female Connector	51	Flow Control Inline Type						
		32	Female Connector	52	Flow Control Regular						
		33	Male Elbow								
		34	Extended Male Elbow								
		35	Female Elbow								
		36	Male Branch Tee								
		37	Female Branch Tee								
		38	Male Run Tee								
		39	Female Run Tee								
		40	Male Branch 'Y'								

VO301616  
MALE CONNECTOR TYPE CONNECTOR WITH APPLICABLE TUBING OD Ø16MM TO Ø16MM

# Global Presence...



Made In India



## CONTACT US:

✉ [sales@uflowvalve.com](mailto:sales@uflowvalve.com)    ☎ +91 89059 07070    📞 +91-2827-254343    🌐 [www.uflowvalve.com](http://www.uflowvalve.com)

📍 Uflow Automation, Ankur Industrial Complex, Sur vey No: 275/276, Plot No: 31, Nr. Intol Cast Pvt. Ltd. Shapar( Veraval) Dist.: Gujarat (India) - 360 024.