

Automation
Simplified...



Solenoid Valve

Angle Seat Valve

Rotary Coupling

Pneumatic Directional Control Valve

Actuator

Cylinder

One Tuch Fitting

Ball Valve

Butterfly Valve

Specifications

Fluid :	Air
Max. operating pressure :	10 Bar
Ambient temperature :	-10°C to +60°C
Threaded connection :	Male : R - Taper thread, Female : G - Parallel thread
Media temperature :	+5°C to 50°C
Applicable tube material :	Nylon, Polyurethane
Applicable tube size (OD) :	Ø4, Ø6, Ø8, Ø10, Ø12, Ø14, Ø16
Recommended tolerance for tube OD :	±0.1 mm
Recommended minimum wall thickness of tubes :	

Nylon		PU	
Tube OD (mm)	Thickness (mm)	Tube OD (mm)	Thickness (mm)
Ø4	1	Ø4	1
Ø6		Ø6	1
Ø8		Ø8	1.5
Ø10		Ø10	1.5
Ø12		Ø12	2
Ø14		Ø14	2
Ø16		Ø16	2.5

Features

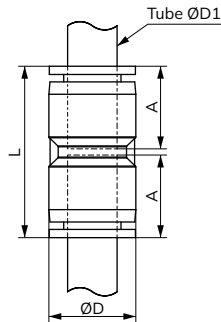
- ☑ Compact & Captivating Design
- ☑ All Threaded nipples has plastic portion that is capable of rotating 360°
- ☑ Full bore piping enables smooth flow of fluids.
- ☑ New Design SS collet
- ☑ Air tight sealing of tubes
- ☑ Compatible with both Nylon & PU pipes
- ☑ Male Taper threads with PTFE coating
- ☑ Durable & Maintenance free
- ☑ Robust collet design lets the fitment & function remains unaffected even due to vibration.
- ☑ Simple & fast connection of tube just by plugging-in manually and similarly smooth way of pulling-out just by the press of plastic collet cap.

Features

One-touch fitting can be effectively used in all compressed air applications
Some of the pneumatic application include

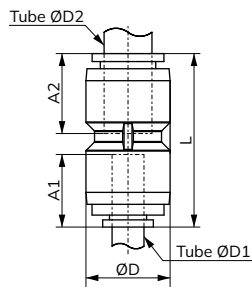
- ☑ Pneumatic cylinders (all types)
- ☑ All compressed air lines, machinery of all kinds wherever pneumatic systems are used
- ☑ Directional control valves(DCV), solenoid valves(SOV) and other valves
- ☑ Pneumatic control & circuit panels
- ☑ Air preparation units like filter, regulator and lubricators(FRL)

Straight Union



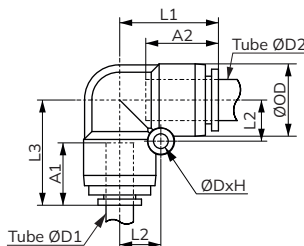
Model No.	Tube OD - ØD1	ØD	L	A
VO210404	4	10.6	31.1	12.4
VO210606	6	12.8	32.5	15
VO210808	8	15	34.6	16
VO211010	10	18.5	38.8	18.4
VO211212	12	21.1	41.6	20
VO211414	14	23.1	41.6	20
VO211616	16	25.6	45.6	22.2

Different Dia. Straight Union



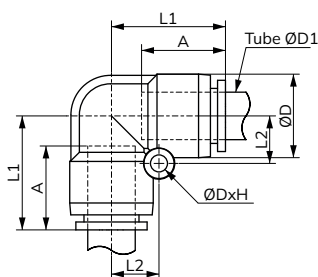
Model No.	Tube OD		ØD	L	A1	A2
	ØD1	ØD2				
VO220406	4	6	12.6	35.3	15.9	15
VO220608	6	8	15	36.6	16.3	16
VO220610	6	10	18.5	40.6	17.2	18.4
VO220810	8	10	18.5	41.1	17.7	18.4
VO220812	8	12	21	43.5	18.2	20
VO221012	10	12	31.1	44	20.2	20
VO221216	12	16	25.6	48.3	21.8	22

Union Elbow Reducer



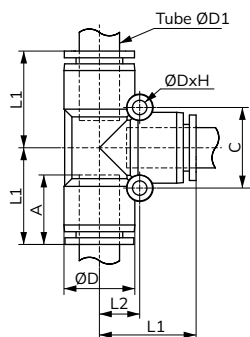
Model No.	Tube OD		ØD	L1	L2	L3	A1	A2	ØDXH
	ØD1	ØD2							
VO240812	8	12	21.1	30.7	12	28.8	18.2	21.2	Ø4.3X21.5

Union Elbow



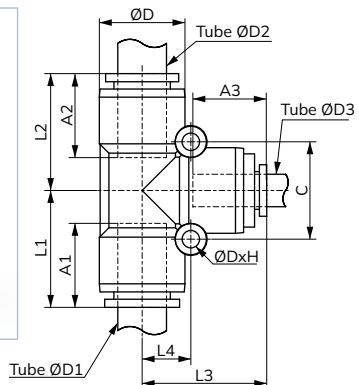
Model No.	Tube OD ØD1	ØD	L1	L2	A	ØDxH
VO230404	4	10.6	17.7	6.5	14.9	Ø3.3X11
VO230606	6	12.8	20	7.5	15	Ø3.3X13
VO230808	8	15	25	9	17.2	Ø3.3X15.5
VO231010	10	18.5	26.4	11	19.2	Ø4.3X19
VO231212	12	21.1	28.8	12	21.2	Ø4.3X21.5
VO231414	14	23.1	29.8	13	20.7	Ø4.3X23.5
VO231616	16	25.6	31.3	14.5	22.2	Ø4.3X26

Union Tee



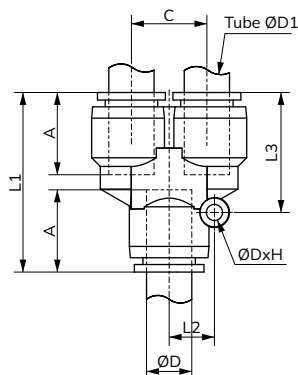
Model No.	Tube OD ØD1	ØD	L1	L2	C	A	ØDxH
VO250404	4	10.6	17.7	6.5	13	14.9	Ø3.3X11
VO250606	6	12.8	20	7.5	15	16	Ø3.3X13
VO250808	8	15	24	9	18	17.2	Ø3.3X15.5
VO251010	10	18.5	26.4	11	22	19.2	Ø4.3X19
VO251212	12	21.1	28.8	12	24	20.7	Ø4.3X20.5
VO251414	14	23.1	29.8	13	26	20.7	Ø4.3X23.5
VO251616	16	25.6	31.3	14.5	29	22.2	Ø4.3X26

Union Tee Reducer



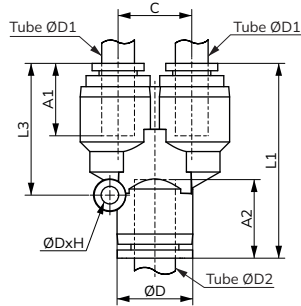
Model No.	Tube OD			ØD	L1	L2	L3	L4	C	A1	A2	A3	ØDxH
	ØD1	ØD2	ØD3										
VO26040406	4	4	6	12.6	22.8	22.8	20	7.5	15	12.4	12.4	16	Ø3.3X13
VO26060604	6	6	4	12.6	20	20	22.8	7.5	15	16	16	12.4	Ø3.3X13
VO26060608	6	6	8	15	26	26	24	9	18	16.3	16.3	17.2	Ø3.3X15.5
VO26061212	6	12	12	21.1	30.2	28.8	28.8	12	24	17.3	20.7	20.7	Ø4.3X20.5
VO26080806	8	8	6	15	24	24	26	9	18	17.2	17.2	16.3	Ø3.3X15.5
VO26080810	8	8	10	18.5	28.7	28.7	26.4	11	22	17.7	17.7	19.2	Ø4.3X19
VO26081212	8	12	12	21.1	30.7	28.8	28.8	12	24	18.2	20.7	20.7	Ø4.3X24
VO26101006	10	10	6	18.5	26.4	26.4	28.2	11	22	19.2	19.2	17.2	Ø4.3X19
VO26101008	10	10	8	18.5	26.4	26.4	28.7	11	22	19.2	19.2	17.7	Ø4.3X19
VO26101012	10	10	12	21.1	31.2	31.2	28.8	12	24	20.2	20.2	20.7	Ø4.3X20.5
VO26121206	12	12	6	21.1	28.8	28.8	30.2	12	24	20.7	20.7	17.3	Ø4.3X20.5
VO26121208	12	12	8	21.1	28.8	28.8	30.7	12	24	20.7	20.7	18.2	Ø4.3X20.5
VO26121210	12	12	10	21.1	28.8	28.8	30.2	12	24	20.7	20.7	20.2	Ø4.3X20.5

Union 'Y'



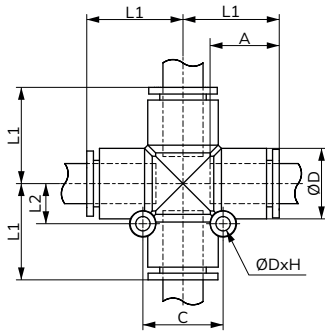
Model No.	Tube OD ØD1	ØD	L1	L2	L3	C	A	ØDxH
VO270404	4	10.6	31.4	6.5	21.3	10	14.9	Ø3.3X11
VO270606	6	12.8	34	7.5	22.5	12	16	Ø3.3X13
VO270808	8	15	39	9	26.5	14.5	17.2	Ø3.3X15.5
VO271010	10	18.5	45.3	11	29.9	18	19.2	Ø4.3X19
VO271212	12	21.1	47.6	12	31.8	20	21.8	Ø4.3X21.5

Union 'Y' Reducer



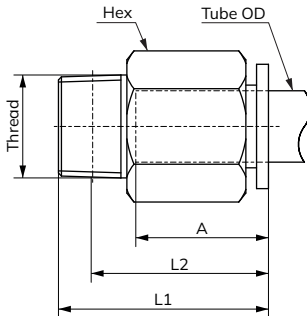
Model No.	Tube OD		ØD	L1	L2	L3	C	A1	A2	ØDXH
	ØD1	ØD2								
VO28040406	4	6	12.6	36.8	7.5	25.3	12	15.9	16	Ø3.3X13
VO28060608	6	8	15	41.1	9	28.6	14.5	16.3	17.2	Ø3.3X15.5
VO28080810	8	10	18.5	47.6	11	32.2	18	19.2	17.7	Ø4.3X19

Cross Union



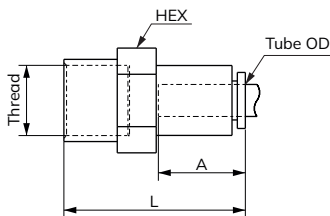
Model No.	Tube OD	ØD	L1	L2	C	A	ØDXH
VO490404	4	10.6	17.7	6.5	13	14.9	Ø3.3X11
VO490606	6	12.6	20	7.5	15	16	Ø3.3X13
VO490808	8	15	25	9	18	17.2	Ø3.3X15.5
VO491010	10	18.5	26.4	11	22	19.2	Ø4.3X19
VO491212	12	21.1	28.8	12	24	20.7	Ø4.3X21.5

Male Connector



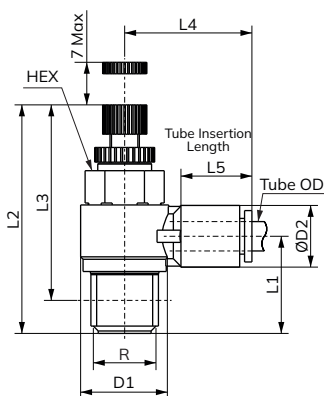
Model No.	Tube OD	Thread	Hex	L1	L2	A
VO3004A	4	M5 x 0.8	10	21.2	17.2	14.4
VO3004C		R1/4	14	18.2	12.7	14.4
VO3004B		R1/8	10	21.7	18	14.4
VO3006A	6	M5 x 0.8	12	21.5	17.5	15.3
VO3006C		R1/4	14	25	19.75	16.3
VO3006B		R1/8	12	22.5	19	16.3
VO3006D		R3/8	17	20	14.74	16.3
VO3008E	8	R1/2	22	25	18	17
VO3008C		R1/4	14	27	21.75	17
VO3008B		R1/8	14	25	21	16.7
VO3008D		R3/8	17	23	16.5	16.7
VO3010E	10	R1/2	22	25.4	17.9	18.7
VO3010C		R1/4	17	29.9	23.9	19.7
VO3010D		R3/8	17	29.9	23.9	19.7
VO3012E	12	R1/2	22	32.8	25.3	22.3
VO3212C		R1/4	22	36.8	30.8	22.3
VO3212D		R3/8	22	35.3	29.55	22.3
VO3212J		1/2	22	32.8	25.3	22.3
VO3012G	14	1/4	22	36.8	30.8	22.3
VO3012I		3/8	22	35.3	29.46	22.3
VO3014J		1/2	24	33.8	26.3	22.2
VO3014H		3/4	27	33.8	26.3	22.2
VO3016J	16	1/2	24	38.3	30.3	23.7
VO3016H		3/4	27	32.3	23.8	21.7
VO3016K		1	36	38.3	28.8	23.7

Female Connector



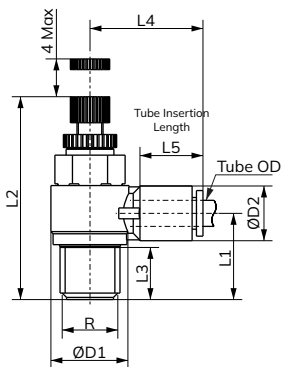
Model No.	Tube OD	Thread (BSP)	Hex	L	A
VO3204F	4	1/8	14	27	14.5
VO3204G		1/4	17	31	14.5
VO3206F	6	1/8	14	27	15.5
VO3206G		1/4	17	31.5	15.5
VO3208F	8	1/8	14	27	16
VO3208G		1/4	17	31.5	16
VO3208I		3/8	22	33.5	16
VO3210G	10	1/4	17	33	18
VO3210I		3/8	22	35	18
VO3212I	12	3/8	22	35	18.5
VO3212J		1/2	27	39.5	18.5
VO3214J	14	1/2	27	39	19

Flow Control - R Series



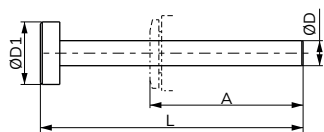
Model No.	Thread R	Tube OD	Hex	L1	L2	L3	L4	L5	ØD1	ØD2	Free Flow Min. Lts/min	Free Flow Min. Lts/min
VF5204B	R1/8	4		15.5	39	35.5	22	14.5	13.5	10.5	100	100
VF5206B		6	12	16	39	35.5	23	15.5	13.5	12.5	200	140
VF5208B		8		18	39	35.5	27	17	13.5	15	200	140
VF5206C	R1/4	6		20.5	47	41.5	25	15.5	18	12.5	400	350
VF5208C		8	14	21	47	41.5	27.5	17	18	15	550	420
VF5210C		10		23	47	41.5	32.5	20	18	18.5	650	450
VF5208D	R3/8	8		25	53	47	29.5	17	22	15	1100	930
VF5210D		10	19	26	53	47	34.5	20	22	18.5	1300	1000
VF5212D		12		27	53	47	36	20.5	22	21	1400	1050
VF5208E	R1/2	8		27.5	57	49.5	32.5	17	28	15	1400	1250
VF5210E		10	24	28.5	57	49.5	36.5	20	28	18.5	1750	1500
VF5212E		12		29.5	57	49.5	37.5	20.5	28	21	1900	1600

Flow Control - M Series



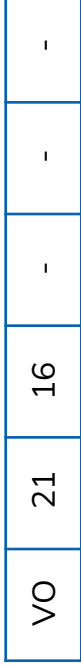
Model No.	Thread R	Tube OD	L1	L2	L3	L4	L5	ØD1	ØD2	Free Flow Min. Lts/min	Free Flow Min. Lts/min
VF5204A	M5	4	12.5	31	3.5	20	14.5	9.5	10.5	60	45
VF5206A		6	12.5	31	3.5	21	15.5	9.5	12.5	100	50

Plug



Model No.	Applicable Fitting size ØD	ØD1	L	A
VO5004	4	10	42	14.5
VO5006	6	12	44	15.5
VO5008	8	14	46	17
VO5010	10	16	48	20
VO5012	12	18	52	20.5

ONE TOUCH FITTINGS IDENTIFICATION CHART



PRODUCT TYPE	PRODUCT SUB TYPE	PRODUCT SUB TYPE	APPLICABLE TUBING OD	APPLICABLE TUBING OD	APPLICABLE TUBING OD	APPLICABLE TUBING OD	APPLICABLE TUBING OD
VO One Touch Fitting	21 Straight Union	41 Male Connector (Internal Hexagon Socket)	16 With Applicable Tubing OD Ø16MM	Blank	Blank	Blank	Blank
VS Self Sealing Fitting	22 Different Dia. Straight Union	42 Single Swivel (Internal Hexagon Socket)	14 With Applicable Tubing OD Ø14MM	16 TO Ø16MM	16 TO Ø16MM	16 TO Ø16MM	A M5X0.8
VF Flow Control	23 Union Elbow	43 Single Swivel (Slotted Head)	12 With Applicable Tubing OD Ø12MM	14 TO Ø14MM	14 TO Ø14MM	14 TO Ø14MM	B R 1/8
	24 Union Elbow Reducer	44 Single Swivel (Hexagon Head)	10 With Applicable Tubing OD Ø10MM	12 TO Ø12MM	12 TO Ø12MM	12 TO Ø12MM	C R 1/4
	25 Union Tee	45 Double Swivel	08 With Applicable Tubing OD Ø08MM	10 TO Ø10MM	10 TO Ø10MM	10 TO Ø10MM	D R 3/8
	26 Union Tee Reducer	46 Triple Swivel	06 With Applicable Tubing OD Ø06MM	08 TO Ø08MM	08 TO Ø08MM	08 TO Ø08MM	E R 1/2
	27 Union 'Y'	47 Multi Distributor Union	04 With Applicable Tubing OD Ø04MM	06 TO Ø06MM	06 TO Ø06MM	06 TO Ø06MM	F 1/8
	28 Union 'Y' Reducer	48 Multi Distributor Male		04 TO Ø04MM	04 TO Ø04MM	04 TO Ø04MM	G 1/4
	29 Bulk Head Union	49 Cross Union					H 3/4
	30 Male Connector	50 Plug					I 3/8
	31 Bulk Head Female Connector	51 Flow Control Inline Type					J 1/2
	32 Female Connector	52 Flow Control Regular					K 1
	33 Male Elbow						
	34 Extended Male Elbow						
	35 Female Elbow						
	36 Male Branch Tee						
	37 Female Branch Tee						
	38 Male Run Tee						
	39 Female Run Tee						
	40 Male Branch 'y'						

VO211616

STRAIGHT UNION TYPE CONNECTOR WITH APPLICABLE TUBING OD Ø16MM TO Ø16MM

Global Presence...



Made In India



CONTACT US:

✉ sales@uflowvalve.com ☎ +91 89059 07070 📞 +91-2827-254343 🌐 www.uflowvalve.com

📍 Uflow Automation, Ankur Industrial Complex, Sur vey No: 275/276, Plot No: 31, Nr. Intol Cast Pvt. Ltd. Shapar(Veraval) Dist.: Gujarat (India) - 360 024.