

Automation  
Simplified...



Solenoid Valve

Angle Seat Valve

Rotary Coupling

Pneumatic Directional Control Valve

Actuator

Cylinder

One Tuch Fitting

Ball Valve

Butterfly Valve

Country of Origin - INDIA

Specifications

<b>Fluid :</b>	Air																													
<b>Max. operating pressure :</b>	10 Bar																													
<b>Ambient temperature :</b>	-10°C to +60°C																													
<b>Threaded connection :</b>	Male : R - Taper thread, Female : G - Parallel thread																													
<b>Media temperature :</b>	+5°C to 50°C																													
<b>Applicable tube material :</b>	Nylon, Polyurethane																													
<b>Applicable tube size (OD) :</b>	Ø4, Ø6, Ø8, Ø10, Ø12, Ø14, Ø16																													
<b>Recommended tolerance for tube OD :</b>	±0.1 mm																													
<b>Recommended minimum wall thickness of tubes :</b>	<table border="1"> <thead> <tr> <th colspan="2">Nylon</th> <th colspan="2">PU</th> </tr> <tr> <th>Tube OD (mm)</th> <th>Thickness (mm)</th> <th>Tube OD (mm)</th> <th>Thickness (mm)</th> </tr> </thead> <tbody> <tr> <td>Ø4</td> <td rowspan="7">1</td> <td>Ø4</td> <td>1</td> </tr> <tr> <td>Ø6</td> <td>Ø6</td> <td>1</td> </tr> <tr> <td>Ø8</td> <td>Ø8</td> <td>1.5</td> </tr> <tr> <td>Ø10</td> <td>Ø10</td> <td>1.5</td> </tr> <tr> <td>Ø12</td> <td>Ø12</td> <td>2</td> </tr> <tr> <td rowspan="2">Ø14</td> <td>Ø14</td> <td>2</td> </tr> <tr> <td>Ø16</td> <td>2.5</td> </tr> </tbody> </table>	Nylon		PU		Tube OD (mm)	Thickness (mm)	Tube OD (mm)	Thickness (mm)	Ø4	1	Ø4	1	Ø6	Ø6	1	Ø8	Ø8	1.5	Ø10	Ø10	1.5	Ø12	Ø12	2	Ø14	Ø14	2	Ø16	2.5
Nylon		PU																												
Tube OD (mm)	Thickness (mm)	Tube OD (mm)	Thickness (mm)																											
Ø4	1	Ø4	1																											
Ø6		Ø6	1																											
Ø8		Ø8	1.5																											
Ø10		Ø10	1.5																											
Ø12		Ø12	2																											
Ø14		Ø14	2																											
		Ø16	2.5																											

Features

- ☑ Compact & Captivating Design
- ☑ All Threaded nipples has plastic portion that is capable of rotating 360°
- ☑ Full bore piping enables smooth flow of fluids.
- ☑ New Design SS collet
- ☑ Air tight sealing of tubes
- ☑ Compatible with both Nylon & PU pipes
- ☑ Male Taper threads with PTFE coating
- ☑ Durable & Maintenance free
- ☑ Robust collet design lets the fitment & function remains unaffected even due to vibration.
- ☑ Simple & fast connection of tube just by plugging-in manually and similarly smooth way of pulling-out just by the press of plastic collet cap.

Features

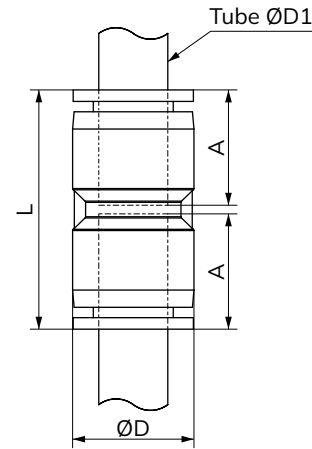
One-touch fitting can be effectively used in all compressed air applications  
Some of the pneumatic application include

- ☑ Pneumatic cylinders (all types)
- ☑ All compressed air lines, machinery of all kinds wherever pneumatic systems are used
- ☑ Directional control valves(DCV), solenoid valves(SOV) and other valves
- ☑ Pneumatic control & circuit panels
- ☑ Air preparation units like filter, regulator and lubricators(FRL)

Straight Union



Dimension Drawing (All dimensions in mm)



Technical Data

Model No.	Tube OD - ØD1	ØD	L	A
VO210404	4	10.6	31.1	12.4
VO210606	6	12.8	32.5	15
VO210808	8	15	34.6	16
VO211010	10	18.5	38.8	18.4
VO211212	12	21.1	41.6	20
VO211414	14	23.1	41.6	20
VO211616	16	25.6	45.6	22.2



# Global Presence...



Made In India



## CONTACT US:

✉ [sales@uflowvalve.com](mailto:sales@uflowvalve.com)    ☎ +91 89059 07070    📞 +91-2827-254343    🌐 [www.uflowvalve.com](http://www.uflowvalve.com)

📍 Uflow Automation, Ankur Industrial Complex, Sur vey No: 275/276, Plot No: 31, Nr. Intol Cast Pvt. Ltd. Shapar( Veraval) Dist.: Gujarat (India) - 360 024.