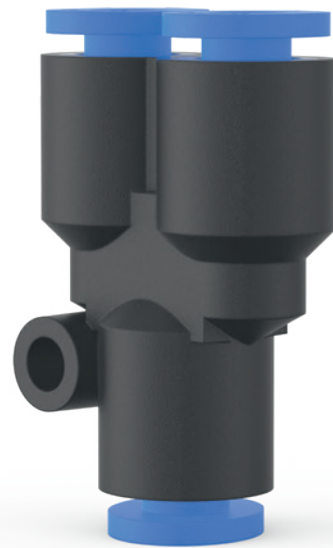


Automation  
 Simplified...



- Solenoid Valve
- Angle Seat Valve
- Rotary Coupling
- Pneumatic Directional Control Valve
- Actuator
- Cylinder
- One Tuch Fitting
- Ball Valve
- Butterfly Valve

Country of Origin - INDIA



Specifications

<b>Fluid :</b>	Air																													
<b>Max. operating pressure :</b>	10 Bar																													
<b>Ambient temperature :</b>	-10°C to +60°C																													
<b>Threaded connection :</b>	Male : R - Taper thread, Female : G - Parallel thread																													
<b>Media temperature :</b>	+5°C to 50°C																													
<b>Applicable tube material :</b>	Nylon, Polyurethane																													
<b>Applicable tube size (OD) :</b>	Ø4, Ø6, Ø8, Ø10, Ø12, Ø14, Ø16																													
<b>Recommended tolerance for tube OD :</b>	±0.1 mm																													
<b>Recommended minimum wall thickness of tubes :</b>	<table border="1"> <thead> <tr> <th colspan="2">Nylon</th> <th colspan="2">PU</th> </tr> <tr> <th>Tube OD (mm)</th> <th>Thickness (mm)</th> <th>Tube OD (mm)</th> <th>Thickness (mm)</th> </tr> </thead> <tbody> <tr> <td>Ø4</td> <td rowspan="7">1</td> <td>Ø4</td> <td>1</td> </tr> <tr> <td>Ø6</td> <td>Ø6</td> <td>1</td> </tr> <tr> <td>Ø8</td> <td>Ø8</td> <td>1.5</td> </tr> <tr> <td>Ø10</td> <td>Ø10</td> <td>1.5</td> </tr> <tr> <td>Ø12</td> <td>Ø12</td> <td>2</td> </tr> <tr> <td rowspan="2">Ø14</td> <td>Ø14</td> <td>2</td> </tr> <tr> <td>Ø16</td> <td>2.5</td> </tr> </tbody> </table>	Nylon		PU		Tube OD (mm)	Thickness (mm)	Tube OD (mm)	Thickness (mm)	Ø4	1	Ø4	1	Ø6	Ø6	1	Ø8	Ø8	1.5	Ø10	Ø10	1.5	Ø12	Ø12	2	Ø14	Ø14	2	Ø16	2.5
Nylon		PU																												
Tube OD (mm)	Thickness (mm)	Tube OD (mm)	Thickness (mm)																											
Ø4	1	Ø4	1																											
Ø6		Ø6	1																											
Ø8		Ø8	1.5																											
Ø10		Ø10	1.5																											
Ø12		Ø12	2																											
Ø14		Ø14	2																											
		Ø16	2.5																											

Features

- ☑ Compact & Captivating Design
- ☑ All Threaded nipples has plastic portion that is capable of rotating 360°
- ☑ Full bore piping enables smooth flow of fluids.
- ☑ New Design SS collet
- ☑ Air tight sealing of tubes
- ☑ Compatible with both Nylon & PU pipes
- ☑ Male Taper threads with PTFE coating
- ☑ Durable & Maintenance free
- ☑ Robust collet design lets the fitment & function remains unaffected even due to vibration.
- ☑ Simple & fast connection of tube just by plugging-in manually and similarly smooth way of pulling-out just by the press of plastic collet cap.

Features

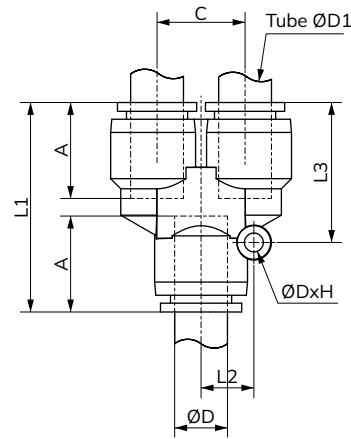
One-touch fitting can be effectively used in all compressed air applications  
Some of the pneumatic application include

- ☑ Pneumatic cylinders (all types)
- ☑ All compressed air lines, machinery of all kinds wherever pneumatic systems are used
- ☑ Directional control valves(DCV), solenoid valves(SOV) and other valves
- ☑ Pneumatic control & circuit panels
- ☑ Air preparation units like filter, regulator and lubricators(FRL)

Union 'Y'



Dimension Drawing (All dimensions in mm)



Technical Data

Model No.	Tube OD ØD1	ØD	L1	L2	L3	C	A	ØDXH
VO270404	4	10.6	31.4	6.5	21.3	10	14.9	Ø3.3X11
VO270606	6	12.8	34	7.5	22.5	12	16	Ø3.3X13
VO270808	8	15	39	9	26.5	14.5	17.2	Ø3.3X15.5
VO271010	10	18.5	45.3	11	29.9	18	19.2	Ø4.3X19
VO271212	12	21.1	47.6	12	31.8	20	21.8	Ø4.3X21.5



# Global Presence...



Made In India



## CONTACT US:

✉ [sales@uflowvalve.com](mailto:sales@uflowvalve.com)    ☎ +91 89059 07070    📞 +91-2827-254343    🌐 [www.uflowvalve.com](http://www.uflowvalve.com)

📍 Uflow Automation, Ankur Industrial Complex, Sur vey No: 275/276, Plot No: 31, Nr. Intol Cast Pvt. Ltd. Shapar( Veraval) Dist.: Gujarat (India) - 360 024.