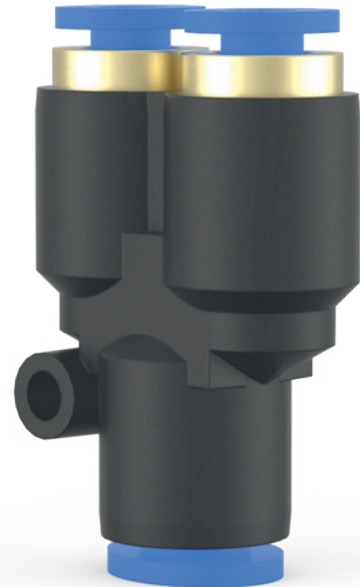


Automation
Simplified...



Solenoid Valve

Angle Seat Valve

Rotary Coupling

Pneumatic Directional Control Valve

Actuator

Cylinder

One Tuch Fitting

Ball Valve

Butterfly Valve

Specifications

Fluid :	Air																													
Max. operating pressure :	10 Bar																													
Ambient temperature :	-10°C to +60°C																													
Threaded connection :	Male : R - Taper thread, Female : G - Parallel thread																													
Media temperature :	+5°C to 50°C																													
Applicable tube material :	Nylon, Polyurethane																													
Applicable tube size (OD) :	Ø4, Ø6, Ø8, Ø10, Ø12, Ø14, Ø16																													
Recommended tolerance for tube OD :	±0.1 mm																													
Recommended minimum wall thickness of tubes :	<table border="1"> <thead> <tr> <th colspan="2">Nylon</th> <th colspan="2">PU</th> </tr> <tr> <th>Tube OD (mm)</th> <th>Thickness (mm)</th> <th>Tube OD (mm)</th> <th>Thickness (mm)</th> </tr> </thead> <tbody> <tr> <td>Ø4</td> <td rowspan="7">1</td> <td>Ø4</td> <td>1</td> </tr> <tr> <td>Ø6</td> <td>Ø6</td> <td>1</td> </tr> <tr> <td>Ø8</td> <td>Ø8</td> <td>1.5</td> </tr> <tr> <td>Ø10</td> <td>Ø10</td> <td>1.5</td> </tr> <tr> <td>Ø12</td> <td>Ø12</td> <td>2</td> </tr> <tr> <td rowspan="2">Ø14</td> <td>Ø14</td> <td>2</td> </tr> <tr> <td>Ø16</td> <td>2.5</td> </tr> </tbody> </table>	Nylon		PU		Tube OD (mm)	Thickness (mm)	Tube OD (mm)	Thickness (mm)	Ø4	1	Ø4	1	Ø6	Ø6	1	Ø8	Ø8	1.5	Ø10	Ø10	1.5	Ø12	Ø12	2	Ø14	Ø14	2	Ø16	2.5
Nylon		PU																												
Tube OD (mm)	Thickness (mm)	Tube OD (mm)	Thickness (mm)																											
Ø4	1	Ø4	1																											
Ø6		Ø6	1																											
Ø8		Ø8	1.5																											
Ø10		Ø10	1.5																											
Ø12		Ø12	2																											
Ø14		Ø14	2																											
		Ø16	2.5																											

Features

- ☑ Compact & Captivating Design
- ☑ All Threaded nipples has plastic portion that is capable of rotating 360°
- ☑ Full bore piping enables smooth flow of fluids.
- ☑ New Design SS collet
- ☑ Air tight sealing of tubes
- ☑ Compatible with both Nylon & PU pipes
- ☑ Male Taper threads with PTFE coating
- ☑ Durable & Maintenance free
- ☑ Robust collet design lets the fitment & function remains unaffected even due to vibration.
- ☑ Simple & fast connection of tube just by plugging-in manually and similarly smooth way of pulling-out just by the press of plastic collet cap.

Features

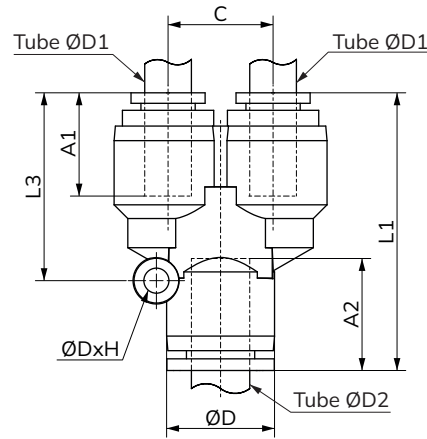
One-touch fitting can be effectively used in all compressed air applications
Some of the pneumatic application include

- ☑ Pneumatic cylinders (all types)
- ☑ All compressed air lines, machinery of all kinds wherever pneumatic systems are used
- ☑ Directional control valves(DCV), solenoid valves(SOV) and other valves
- ☑ Pneumatic control & circuit panels
- ☑ Air preparation units like filter, regulator and lubricators(FRL)

Union 'Y' Reducer



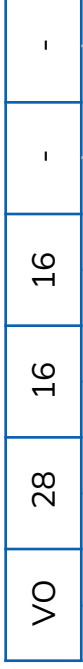
Dimension Drawing (All dimensions in mm)



Technical Data

Model No.	Tube OD		ØD	L1	L2	L3	C	A1	A2	ØDXH
	ØD1	ØD2								
VO28040406	4	6	12.6	36.8	7.5	25.3	12	15.9	16	Ø3.3X13
VO28060608	6	8	15	41.1	9	28.6	14.5	16.3	17.2	Ø3.3X15.5
VO28080810	8	10	18.5	47.6	11	32.2	18	19.2	17.7	Ø4.3X19

ONE TOUCH FITTINGS IDENTIFICATION CHART



PRODUCT TYPE	PRODUCT SUB TYPE	PRODUCT SUB TYPE	APPLICABLE TUBING OD	APPLICABLE TUBING OD	APPLICABLE TUBING OD	APPLICABLE TUBING OD	APPLICABLE TUBING OD
VO	One Touch Fitting	21 Straight Union	41 Male Connector (Internal Hexagon Socket)	16 With Applicable Tubing OD Ø16MM	Blank	Blank	Blank
VS	Self Sealing Fitting	22 Different Dia. Straight Union	42 Single Swivel (Internal Hexagon Socket)	14 With Applicable Tubing OD Ø14MM	16 TO Ø16MM	16 TO Ø16MM	A M5X0.8
VF	Flow Control	23 Union Elbow	43 Single Swivel (Slotted Head)	12 With Applicable Tubing OD Ø12MM	14 TO Ø14MM	14 TO Ø14MM	B R 1/8
		24 Union Elbow Reducer	44 Single Swivel (Hexagon Head)	10 With Applicable Tubing OD Ø10MM	12 TO Ø12MM	12 TO Ø12MM	C R 1/4
		25 Union Tee	45 Double Swivel	08 With Applicable Tubing OD Ø08MM	10 TO Ø10MM	10 TO Ø10MM	D R 3/8
		26 Union Tee Reducer	46 Triple Swivel	06 With Applicable Tubing OD Ø06MM	08 TO Ø08MM	08 TO Ø08MM	E R 1/2
		27 Union 'Y'	47 Multi Distributor Union	04 With Applicable Tubing OD Ø04MM	06 TO Ø06MM	06 TO Ø06MM	F 1/8
		28 Union 'Y' Reducer	48 Multi Distributor Male		04 TO Ø04MM	04 TO Ø04MM	G 1/4
		29 Bulk Head Union	49 Cross Union				H 3/4
		30 Male Connector	50 Plug				I 3/8
		31 Bulk Head Female Connector	51 Flow Control Inline Type				J 1/2
		32 Female Connector	52 Flow Control Regular				K 1
		33 Male Elbow					
		34 Extended Male Elbow					
		35 Female Elbow					
		36 Male Branch Tee					
		37 Female Branch Tee					
		38 Male Run Tee					
		39 Female Run Tee					
		40 Male Branch 'y'					

VO281616
UNION 'Y' REDUCER TYPE CONNECTOR WITH APPLICABLE TUBING OD Ø16MM TO Ø16MM

Global Presence...



Made In India



CONTACT US:

✉ sales@uflowvalve.com ☎ +91 89059 07070 📞 +91-2827-254343 🌐 www.uflowvalve.com

📍 Uflow Automation, Ankur Industrial Complex, Sur vey No: 275/276, Plot No: 31, Nr. Intol Cast Pvt. Ltd. Shapar(Veraval) Dist.: Gujarat (India) - 360 024.