

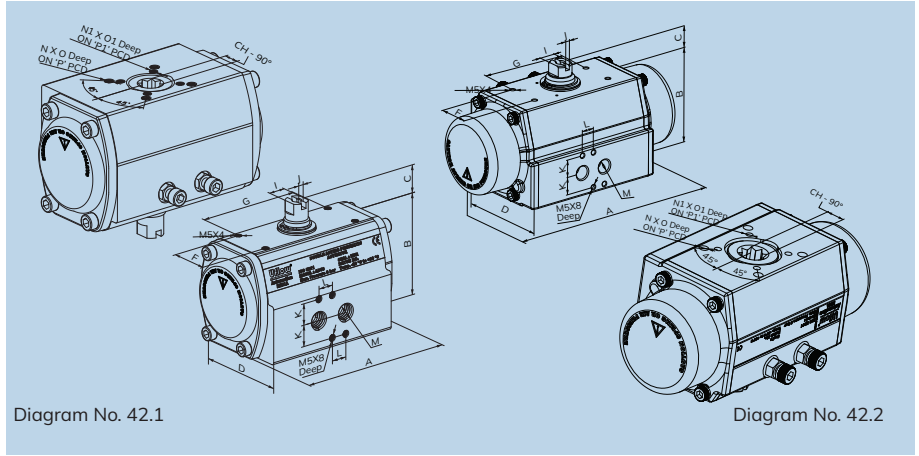
Automation
 Simplified...



- Solenoid Valve
- Angle Seat Valve
- Rotary Coupling
- Pneumatic Directional Control Valve
- Actuator
- Cylinder
- One Touch Fitting
- Ball Valve
- Butterfly Valve

Country of Origin - INDIA





Features

Uflow has successfully developed Compact, Patented Aluminium Free Rack & Pinion Pneumatic Rotary Actuator and Consuming Low Volume of Air.

- ☑ Wear proof aluminium free Rack & Pinion design.
- ☑ Low air consumption with maximum torque due to compact design.
- ☑ Providing a hard-anodized body for high corrosion resistance.
- ☑ Smooth travelling stroke for extending the life of ball valve seat.
- ☑ Finer teeth module for smoother operation, and jerk-free sliding.
- ☑ Maintenance free design.
- ☑ Aluminium Extruded, Hard Anodized Body.
- ☑ Design Standard : ISO 5211.
- ☑ Approved as per ATEX.

Section View

Single Acting



Double Acting



Temperature Range	
NBR	-20°C to +80°C
Viton	-20°C to +125°C
Flourosilicone	-60°C to +110°C

End Stroke (0° - 90°)
+5° Over travelling possible for opening
-5° Under travelling can be adjusted

Working Pressure
Maximum working pressure 8 bar

Air Consumption Comparison With Other Reputed Brand		
Model	Piston Inward Stroke ml / bar	Piston Outward Stroke ml / bar
(Uflow)AD50	128	137
Other Brand Y	260	110
Other Brand X	200	180

Technical Data (All dimensions in mm)

All Dimensions are approx.

Model No. Double / Single	Diagram No.	A Double / Single	B	C	D	F	G	I	J	K	L	M	N	O	P	N1	O1	P1	CH 90°	ISO FLANGE
AD-32V2 / AS-3221V2	42.1 / 42.2	92 / 115	48	20	54	30	50	10	4	16	12	1/8"	M5	09	36	-	-	-	09	F03
AD-40V2 / AS-4012V2	42.1 / 42.2	129/161	66	20	64	30	80	13	4	16	12	1/4"	M6	12	50	M5	10	36	11	F03/F05
AD-50V2 / AS-5012V2	42.1 / 42.2	125/163	77	20	72	30	80	13	4	16	12	1/4"	M6	12	50	M5	10	36	11	F03/F05
AD-63V2 / AS-6312V2	42.1 / 42.2	147/203	87	20	86	30	80	15	4	16	12	1/4"	M8	12	70	M6	10	50	14	F05/F07
AD-80V2 / AS-80201V2	42.1 / 42.2	170/235	103	20	98	30	80	18	4	16	12	1/4"	M8	12	70	M6	10	50	17	F05/F07
AD-90V2 / AS-90201V2	42.1 / 42.2	198/277	115	20	110	30	80	22	4	16	12	1/4"	M8	12	70	-	-	-	17	F07
AD-100V2 / AS-10012V2	42.1 / 42.2	220/324	129	20	127	30	80	26	4	16	12	1/4"	M10	15	102	M8	14	70	22	F07/F10
AD-110V2 / AS-11012V2	42.1 / 42.2	231/332	136	20	131	30	80	30	4	16	12	1/4"	M10	15	102	M8	14	70	22	F07/F10
AD-125V2 / AS-12511V2	42.1 / 42.2	389	161	20	146	30	80	30	4	16	12	1/4"	M12	20	125	M10	14	102	22	F10/F12
AD-150V2 / AS-15011V2	42.1 / 42.2	465	193	20	176	30	80	36	4	16	12	1/4"	M12	20	125	M10	14	102	27	F10/F12
AD-175V2 / AS-17513UV2	42.1 / 42.2	500	212	20.5	195	30	80	41	4	16	12	1/4"	M12	20	125	M10	20	102	27	F10/F12
AD-200V2 / AS-200A6UV2	42.1 / 42.2	552	255	30	288	30	130	41	4	16	12	1/4"	M16	24	140	M10	15	102	36	F10/F14
AD-250V2 / AS2506UV2	42.1 / 42.2	723	255	30	288	30	130	41	4	16	12	1/4"	M16	24	140	-	-	-	46	F14
AD-300V2 / AS-3006UV2	42.1 / 42.2	755	360	30	390	30	130	41	4	22.5	20	1/2"	M20	30	165	-	-	-	46	F16
AD-350V2 / AS-3506UV2	42.1 / 42.2	865	360	30	390	30	130	41	4	22.5	20	1/2"	M20	30	165	-	-	-	55	F16

Rotary Quarter Turn Pneumatic Actuator - AD & AS Series

Torque Chart (Double Acting)

TORQUE Nm (10Nm = 1 Kgm)

Model No.	Diagram No.	2 Bar	3 Bar	4 Bar	5 Bar	6 Bar	7 Bar	8 Bar	Piston Inward Stroke, ml/bar	Piston Outward Stroke, ml/bar
AD-32V2	42.1	3	5	6	8	9	11	12	36	40
AD-40V2	42.1	7	10	14	17	21	24	28	83	104
AD-50V2	42.1	11	16	22	27	32.5	38	43	128	137
AD-63V2	42.1	20	30	40	50	60	70	80	210	280
AD-80V2	42.1	35	52	69	87	103	121	138	360	450
AD-90V2	42.1	51	76	102	127	153	178	204	522	768
AD-100V2	42.1	73	110	146	183	220	256	293	780	1040
AD-110V2	42.1	90	135	180	225	270	315	360	966	1325
AD-125V2	42.1	127	190	254	318	381	446	508	2800	1810
AD-150V2	42.1	210	316	421	526	631	737	842	5390	3150
AD-175V2	42.1	300	450	600	750	900	1050	1200	7525	4720
AD-200V2	42.1	456	684	912	1140	1368	1596	1824	11980	7780
AD-250V2	42.1	741	1111	1482	1852	2223	2593	2964	14870	12145
AD-300V2	42.1	1125	1688	2251	2813	3376	3939	4502	37175	19630
AD-350V2	42.1	1540	2310	3080	3850	4620	5390	6160	40535	26430

Torque Chart (Single Acting)

TORQUE Nm (10Nm = 1 Kgm)

Size	Model No.	Spring Set	Spring Torque		3 Bar		4 Bar		5 Bar		6 Bar		Piston Outward Stroke, ml/bar
			0° (Min)	90° (Max)	90° (Min)	0° (Max)	90° (Min)	0° (Max)	90° (Min)	0° (Max)	90° (Min)	0° (Max)	
32	AS-3221V2	21	2	3	2	3	3	4	5	6	6	7	40
	AS-3212V2	12	3	5	-	-	1	3	3	5	4	6	
	AS-3222V2	22	4	6	-	-	1	2	2	4	3	5	
40	AS-4002V2	02	5	8	3	5	6	9	10	12	13	16	104
	AS-4021V2	21	5	8	2	5	6	8	9	12	12	15	
	AS-4012V2	12	6	10	1	4	4	7	7	11	11	14	
	AS-4022V2	22	8	12	-	-	2	6	5	9	9	13	
50	AS-5002V2	02	6	13	3	10	9	16	14	21	20	27	137
	AS-5021V2	21	8	14	2	8	8	14	13	19	19	25	
	AS-5012V2	12	9	16	-	-	6	13	11	18	17	24	
	AS-5022V2	22	12	18	-	-	4	10	9	15	15	21	
63	AS-6302V2	02	11	22	8	19	18	29	28	39	38	49	280
	AS-6321V2	21	15	24	6	15	16	25	26	35	36	45	
	AS-6312V2	12	16	29	1	14	11	24	21	34	31	44	
	AS-6322V2	22	21	35	-	-	5	19	15	29	25	39	
80	AS-80201V2	201	13	23	29	39	46	56	63	73	80	90	450
	AS-80211V2	211	19	34	18	33	35	50	52	67	69	84	
	AS-80121V2	121	23	40	12	29	29	46	46	63	63	80	
	AS-80112V2	112	23	43	9	29	26	46	43	63	60	80	
	AS-80212V2	212	26	47	5	26	22	43	39	60	56	77	
	AS-80222V2	222	36	61	-	-	8	33	25	50	42	67	

Torque Chart (Single Acting)

TORQUE Nm (10Nm = 1 KgM)

Size	Model No.	Spring Set	Spring Torque		3 Bar		4 Bar		5 Bar		6 Bar		Piston Outward Stroke, ml/bar
			0° (Min)	90° (Max)	90° (Min)	0° (Max)	90° (Min)	0° (Max)	90° (Min)	0° (Max)	90° (Min)	0° (Max)	
90	AS-90201V2	201	27	41	35	49	61	75	86	100	112	126	768
	AS-90211V2	211	34	54	22	42	48	68	73	93	99	119	
	AS-90121V2	121	36	58	18	40	44	66	69	91	95	117	
	AS-90112V2	112	43	68	8	33	34	59	59	84	85	110	
	AS-90212V2	212	49	77	-	27	25	53	50	78	76	104	
	AS-90222V2	222	57	90	-	19	12	45	37	70	63	96	
100	AS-1006UV2	6U	40	59	51	70	87	106	124	143	161	180	1040
	AS-1007U2V2	7U2	51	77	33	59	69	95	106	132	143	169	
	AS-10009V2	9	53	81	29	57	65	93	102	130	139	167	
	AS-10010UV2	10U	61	96	14	49	50	85	87	122	124	159	
	AS-10012V2	12	71	109	-	-	37	75	74	112	111	149	
	AS-10014V2	14	83	127	-	-	19	63	56	100	93	137	
110	AS-1106UV2	6U	48	75	60	87	105	132	150	177	195	222	1325
	AS-1107U2V2	7U2	60	94	41	75	86	120	131	165	176	210	
	AS-11009V2	9	66	101	34	69	79	114	124	159	169	204	
	AS-11010UV2	10U	78	120	15	57	60	102	105	147	150	192	
	AS-11012V2	12	88	135	-	47	45	92	90	137	135	182	
	AS-11014V2	14	102	157	-	33	23	78	68	123	113	168	
125	AS-1256UV2	6U	62	99	91	128	155	192	219	256	282	319	1810
	AS-1258UV2	8U	81	129	61	109	125	173	188	236	252	300	
	AS-12509V2	9	86	137	53	104	117	168	181	231	244	295	
	AS-12511V2	11	105	167	23	85	87	149	151	212	214	276	
	AS-12512UV2	12U	119	190	-	-	64	135	128	198	191	262	
	AS-12513UV2	13U	129	205	-	-	49	125	113	189	176	252	
150	AS-1506UV2	6U	105	170	146	211	251	316	356	421	461	526	3150
	AS-1508UV2	8U	137	222	94	179	199	284	304	389	409	494	
	AS-15009V2	9	144	234	82	172	187	277	294	382	391	487	
	AS-15011V2	11	176	285	30	140	135	245	240	350	345	455	
	AS-15012UV2	12U	201	326	-	115	95	220	200	325	305	430	
	AS-15013UV2	13U	217	352	-	99	69	204	174	309	279	414	
175	AS-1756UV2	6U	145	238	212	305	362	455	512	605	662	755	4720
	AS-1758UV2	8U	190	311	139	260	289	410	439	560	589	710	
	AS-17509V2	9	201	330	120	249	270	399	420	549	570	699	
	AS-17511V2	11	245	403	47	205	197	355	347	505	497	655	
	AS-17512UV2	12U	279	458	-	171	142	321	292	471	442	621	
	AS-17513UV2	13U	301	494	-	149	106	299	256	449	406	599	

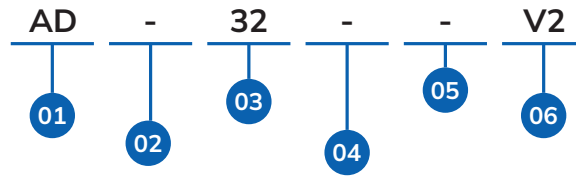
Rotary Quarter Turn Pneumatic Actuator - AD & AS Series

Torque Chart (Single Acting)

TORQUE Nm (10Nm = 1 Kg)

Size	Model No.	Spring Set	Spring Torque		3 Bar		4 Bar		5 Bar		6 Bar		Piston Outward Stroke, ml/bar
			0° (Min)	90° (Max)	90° (Min)	0° (Max)	90° (Min)	0° (Max)	90° (Min)	0° (Max)	90° (Min)	0° (Max)	
200	AS-2007UV2	7U	235	425	259	449	487	677	715	905	943	1133	7780
	AS-20010V2	10	315	567	117	369	345	597	573	825	801	1053	
	AS-20014V2	14	440	794	-	244	118	472	346	700	574	928	
250	AS-2507UV2	7U	382	688	423	729	794	1100	1164	1470	1535	1841	12145
	AS-25010V2	10	509	919	192	602	563	973	933	1343	1304	1714	
	AS-25014V2	14	713	1287	-	398	195	769	565	1139	936	1510	
300	AS-3007UV2	7U	692	1055	633	996	1196	1559	1758	2121	2321	2684	19630
	AS-30010V2	10	925	1407	281	763	844	1326	1406	1888	1969	2451	
	AS-30014V2	14	1295	1970	-	393	281	956	843	1518	1406	2081	
350	AS-3507UV2	7U	947	1443	867	1363	1637	2133	2407	2903	3177	3673	26430
	AS-35010V2	10	1264	1925	385	1046	1155	1816	1925	2586	2695	3356	
	AS-35014V2	14	1769	2695	-	541	385	1311	1155	2081	1925	2851	

AD - SERIES DOUBLE ACTING ROTARY ACTUATOR MODEL CHART



01	SERIES
	AD

02	PRODUCT TYPE
-	Double Acting Actuator

03	BORE Ø (mm)
032	32
040	40
050	50
063	63
080	80
100	100
125	125
150	150
175	175
200	200
250	250
300	300
350	350

04	ROTATION
-	90 CCW
C	90 CW

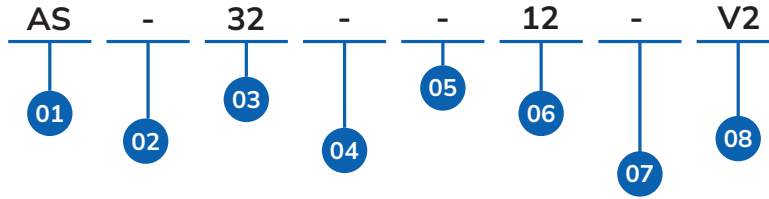
05	CONFIGURATION
-	REGULAR
C1	CONFIG 1
C2	CONFIG 2
C3	CONFIG 3
⋮	⋮
C9	CONFIG 9
CA	CONFIG 10
CB	CONFIG 11

06	VERSION
-	VERSION 0
V1	VERSION 1
V2	VERSION 2
V3	VERSION 3
⋮	⋮
V9	VERSION 9
VA	VERSION 10
VB	VERSION 11

AD-32V2
DOUBLE ACTING ACTUATOR SIZE 32 ALUMINIUM-NITRILE-90 CCW-VERSION 2

Note: The above chart is for identification purposes only, and it may not be possible to make all combinations for the above chart.

AS - SERIES SINGLE ACTING ROTARY ACTUATOR MODEL CHART



01	SERIES
	AS

02	PRODUCT TYPE
-	Single Acting Actuator

03	SIZE
32	32
40	40
50	50
63	63
80	80
90	90
100	100
110	110
125	125
150	150
175	175
200	200
250	250
300	300
350	350

04	SEAL MATERIAL
-	NITRILE
E	EPDM
V	VITON

05	ROTATION
-	90 CCW
C	90 CW

07	CONFIGURATION
-	REGULAR
C1	CONFIG 1
C2	CONFIG 2
C3	CONFIG 3
⋮	⋮
C9	CONFIG 9
CA	CONFIG 10
CB	CONFIG 11

08	VERSION
-	VERSION 0
V1	VERSION 1
V2	VERSION 2
V3	VERSION 3
⋮	⋮
V9	VERSION 9
VA	VERSION 10
VB	VERSION 11

06 SPRING SET									
SPRING SET 32 TO 63			SPRING SET - 80 & 90				SPRING SET 100 TO 350		
CODE	INNER	OUTER	CODE	INNER	MIDDLE	OUTER	CODE	BLACK SPRING	WHITE SPRING
02	0	2	201	2	0	1	12	12	0
21	2	1	211	2	1	1	6U	6	1
12	1	2	121	1	2	1	8U	8	1
22	2	2	112	1	1	2	12U	12	1
⋮	⋮	⋮	212	2	1	2	13U	13	1
⋮	⋮	⋮	222	2	2	2	11	11	0
⋮	⋮	⋮	⋮	⋮	⋮	⋮	09	9	0
⋮	⋮	⋮	⋮	⋮	⋮	⋮	14	14	0
⋮	⋮	⋮	⋮	⋮	⋮	⋮	7U2	7	2
⋮	⋮	⋮	⋮	⋮	⋮	⋮	10	10	0
⋮	⋮	⋮	⋮	⋮	⋮	⋮	7U	7	1
⋮	⋮	⋮	⋮	⋮	⋮	⋮	⋮	⋮	⋮

AS-3212V2
SINGLE ACTING ACTUATOR SIZE 32 ALUMINIUM-NITRILE-90 CCW
-WITH SPRING SET NO 12-VERSION 2

Note : The above chart is for identification purposes only, and it may not be possible to make all combinations for the above chart.

Global Presence...



Made In India



CONTACT US:

For Domestic Inquiry

✉ sales@uflowvalve.com 📞 +91 85110 98822 🌐 www.uflowvalve.com

For Export Inquiry

✉ export@uflowvalve.com 📞 +91 99744 77370 📞 +91 78018 09550

📍 Uflow Automation, Ankur Industrial Complex, Survey No: 275/276, Plot No: 31, Nr. Intol Cast Pvt. Ltd. Shapar(Veraval) Dist.: Gujarat (India) - 360 024.