

3/2 SINGLE SOLENOID DIRECTIONAL CONTROL POPPET VALVE
(Normally Close)

Automation
Simplified...



Solenoid Valve

Angle Seat Valve

Rotary Coupling

Pneumatic Directional Control Valve

Actuator

Cylinder

One Touch Fitting

Ball Valve

Butterfly Valve

Country of Origin - INDIA





Valve Specifications

Type :	3/2
Design :	Internal Pilot Operated Poppet Valve
Port Size :	In / Out / Exhaust - 1/2" BSP
Media :	Compressed Air (Filtered & Lubricated)
working Pressure Range :	2-10 Bar
Orifice :	16mm
Ambient / Media Temperature :	5°C - 60°C
Materials of Construction :	Aluminium, Nitrile, Brass, Polymer

Coil Specification

Operating Voltage :	24V AC	110V AC	230V AC	12V DC	24V DC
Power Consumption :	9W	9W	9W	10W	11W
Coil Features :	High Reliability Unaffected by Voltage Surges. Easy coil changes coil lockable in 4X90 position or freely movable in between as require.				
Coil Housing :	Epoxy square coil, Metallic round enclosure, IP-67 Flameproof enclosure, IP-68 Weatherproof enclosure.				

Port Connection

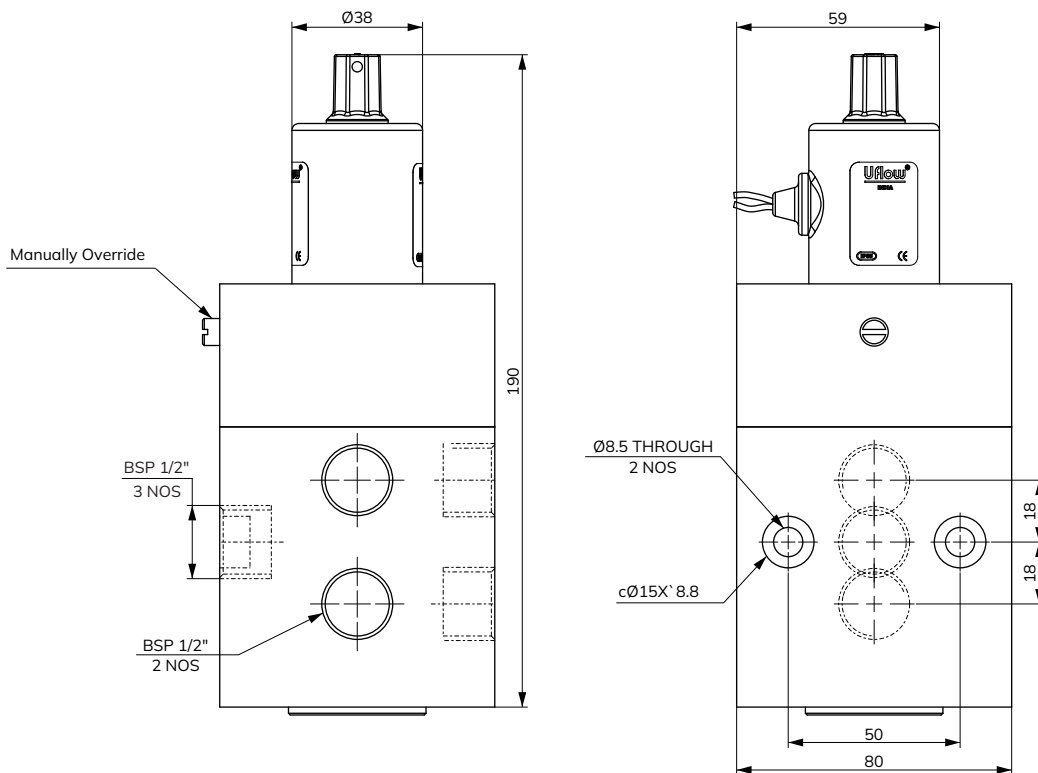
1 - Input, 2/4 - Output, 3/5 - Exhaust

Model No.	Coil Type	Function	Symbol
CSA2BN23ET160V0	AC	Single Solenoid	
CSA2BN23FT160V0	DC		

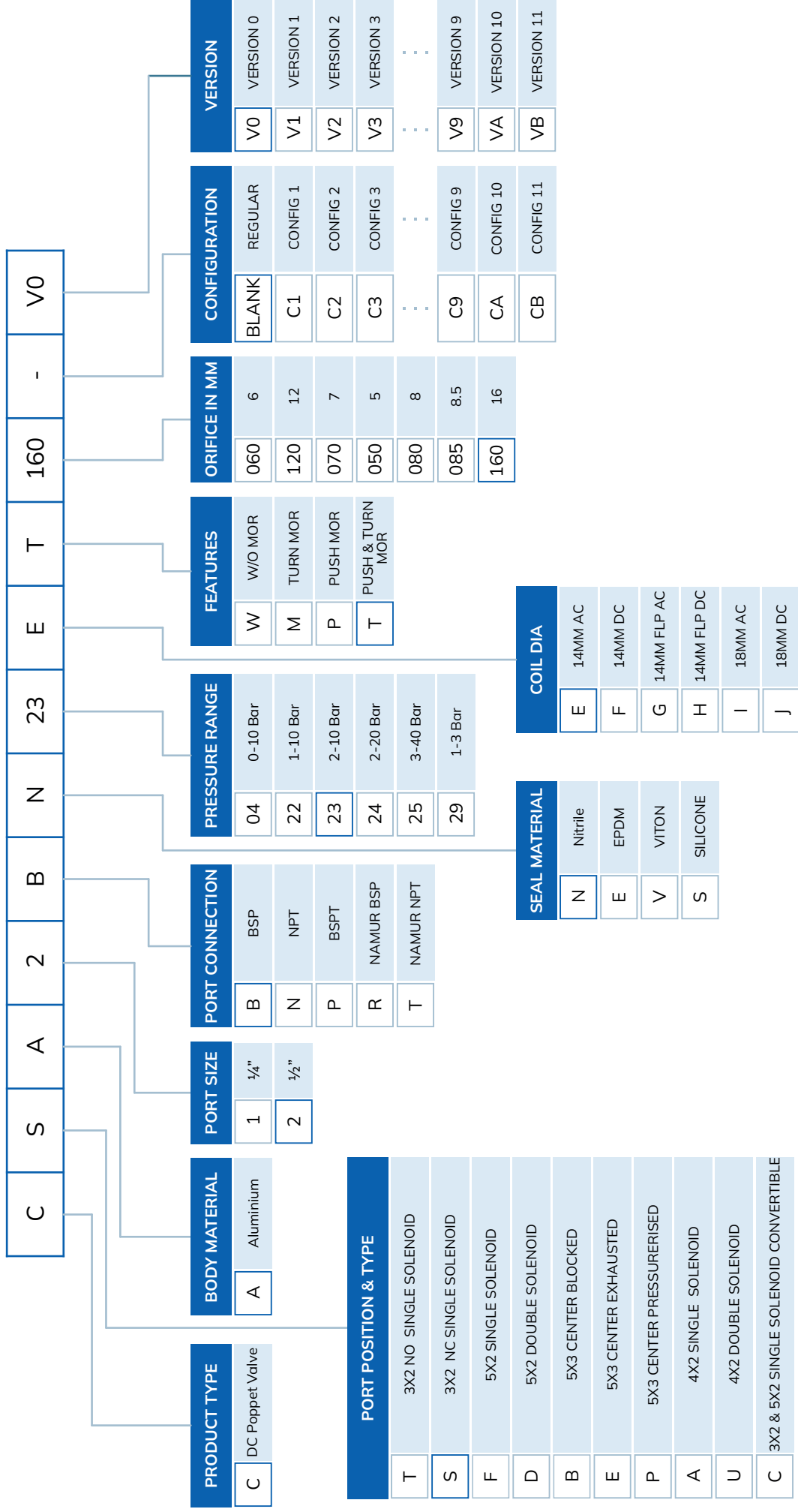
Features

- Fast response time 1000 cycle/min
- Manual override
- 2 Million cycle tested
- Lubrication not essential

Dimension Drawing (All dimensions in mm)



DC SOLENOID VALVE MODEL IDENTIFICATION CHART



CSA2BN23ET160V0

1/4" 3X2 NC SINGLE SOLENOID POPPET TYPE VALVE ALUMINIUM - BSP - NITRILE - 2 TO 10 Bar-14MM AC - PUSH & TURN MOR - 16MM ORIFICE

Global Presence...



Made In India



CONTACT US:

✉ sales@uflowvalve.com ☎ +91 89059 07070 📞 +91-2827-254343 🌐 www.uflowvalve.com

📍 Uflow Automation, Ankur Industrial Complex, Sur vey No: 275/276, Plot No: 31, Nr. Intol Cast Pvt. Ltd. Shapar(Veraval) Dist.: Gujarat (India) - 360 024.