

3/2 SINGLE SOLENOID NAMUR POPPET VALVE
(Normally Close)

Automation
Simplified...



Solenoid Valve

Angle Seat Valve

Rotary Coupling

Pneumatic Directional Control Valve

Actuator

Cylinder

One Touch Fitting

Ball Valve

Butterfly Valve



Valve Specifications

Type :
Design :
Port Size :
Media :
working Pressure Range :
Orifice :
Ambient / Media Temperature :
Materials of Construction :

| | |
|-------------------------------|--|
| Type : | 3 Way |
| Design : | 3 Way Direct Acting Poppet Type |
| Port Size : | In / Out / Exhaust - 1/4" BSP |
| Media : | Compressed Air (Filtered & Lubricated) |
| working Pressure Range : | 2-10 Bar |
| Orifice : | 7mm |
| Ambient / Media Temperature : | 5°C - 60°C |
| Materials of Construction : | Aluminium, Nitrile, Brass, Polymer |

Coil Specification

Operating Voltage :

| | | | | |
|--------|---------|---------|--------|--------|
| 24V AC | 110V AC | 230V AC | 12V DC | 24V DC |
| 9W | 9W | 9W | 10W | 11W |

Power Consumption :

Coil Features :

High Reliability Unaffected by Voltage Surges. Easy coil changes coil lockable in 4X90 position or freely movable in between as require.

Coil Housing :

Epoxy square coil, Metallic round enclosure, IP-67 Flameproof enclosure, IP-68 Weatherproof enclosure.

Port Connection

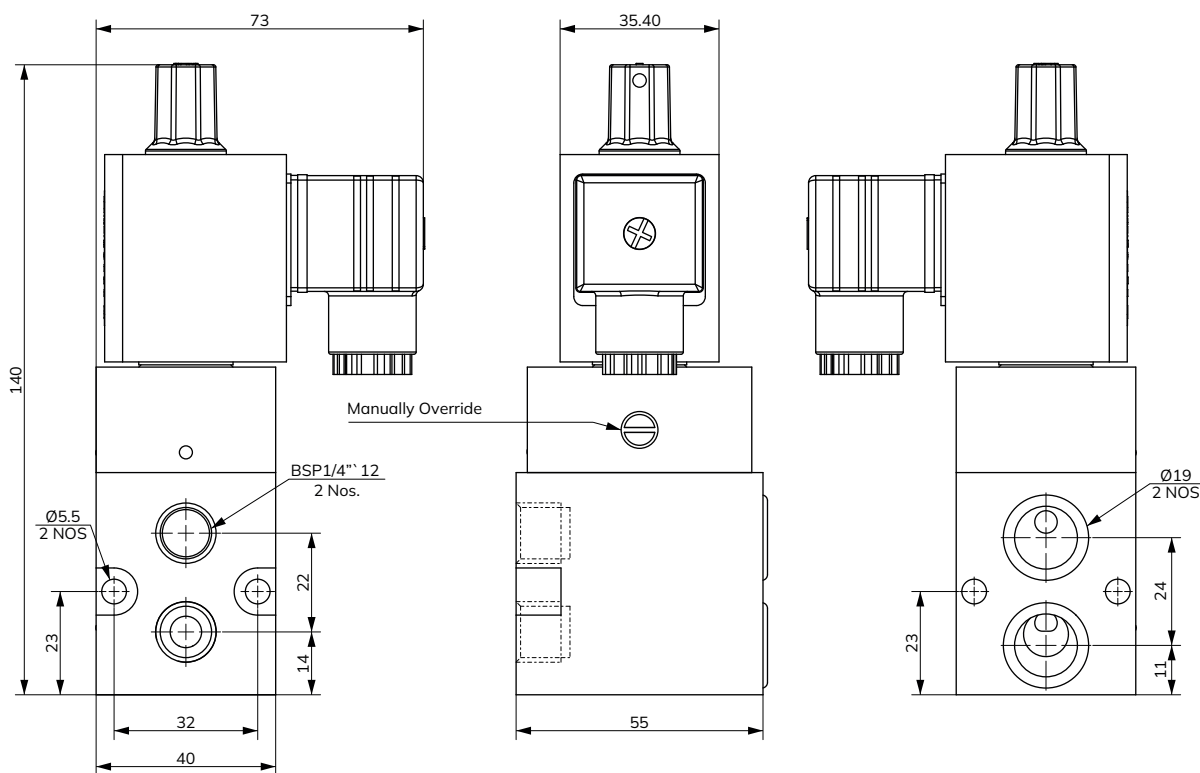
1 - Input, 2/4 - Output, 3/5 - Exhaust

| Model No. | Coil Type | Function | Symbol |
|-----------------|-----------|-------------------------------|--------|
| CSA1RN23ET070V0 | AC | Single Solenoid Spring Return | |
| CSA1RN23FT070V0 | DC | | |

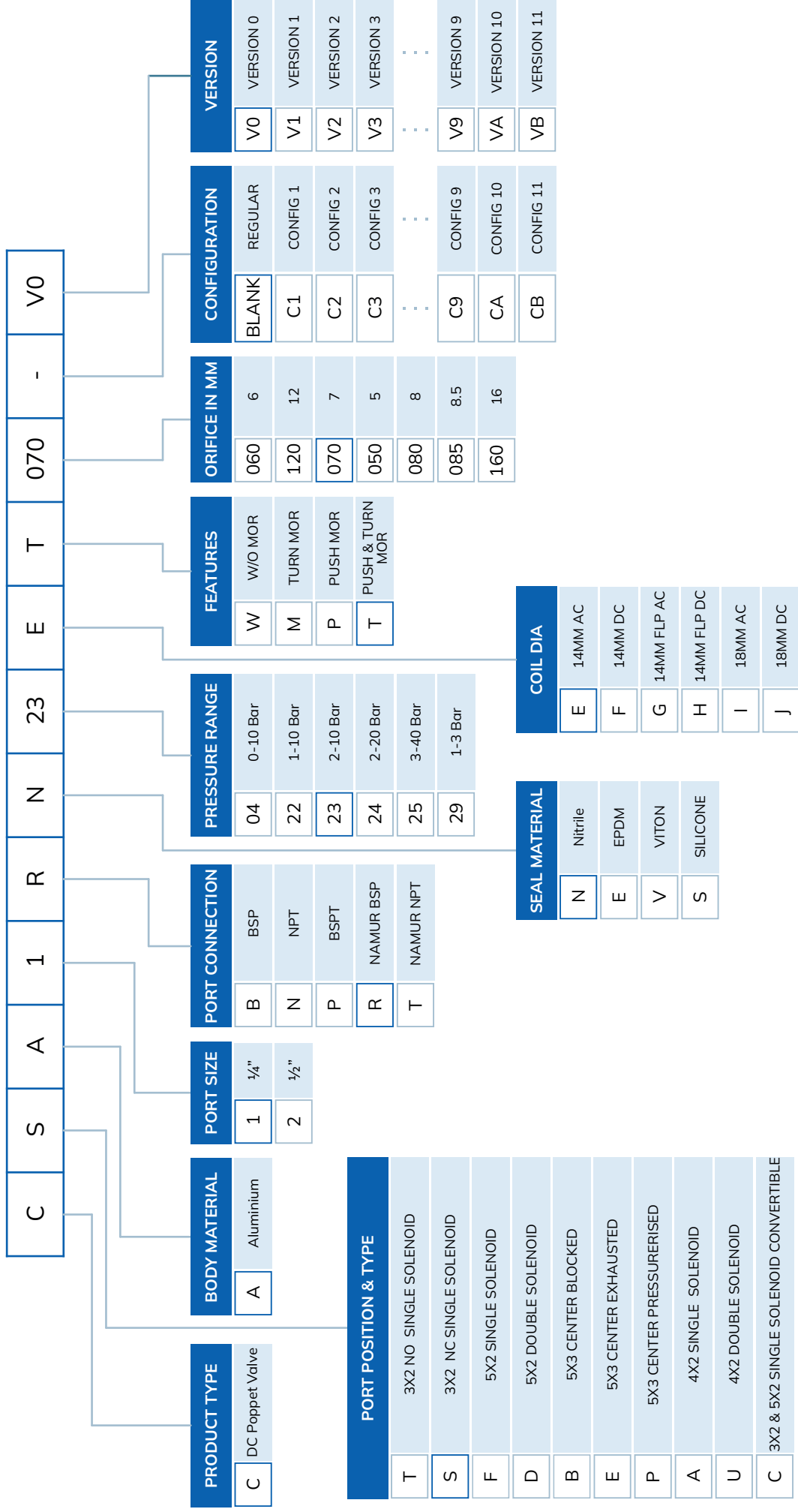
Features

- Fast response time 1000 cycle/min
- Manual override
- 2 Million cycle tested
- Lubrication not essential

Dimension Drawing (All dimensions in mm)



DC SOLENOID VALVE MODEL IDENTIFICATION CHART



CSA1RN23ET070V0

1/4" 3X2 NC SINGLE SOLENOID POPPET TYPE VALVE ALUMINIUM - NAMUR BSP - NITRILE - 2 TO 10 Bar-14MM AC - PUSH & TURN MOR - 16MM ORIFICE

Global Presence...



Made In India



CONTACT US:

✉ sales@uflowvalve.com ☎ +91 89059 07070 📞 +91-2827-254343 🌐 www.uflowvalve.com

📍 Uflow Automation, Ankur Industrial Complex, Sur vey No: 275/276, Plot No: 31, Nr. Intol Cast Pvt. Ltd. Shapar(Veraval) Dist.: Gujarat (India) - 360 024.