

3/2 SINGLE SOLENOID POPPET VALVE (Normally Close)

Automation
Simplified...



Solenoid Valve

Angle Seat Valve

Rotary Coupling

Pneumatic Directional Control Valve

Actuator

Cylinder

One Touch Fitting

Ball Valve

Butterfly Valve

Country of Origin - INDIA





Valve Specifications

Type :
Design :
Port Size :
Media :
working Pressure Range :
Orifice :
Ambient / Media Temperature :
Materials of Construction :

3/2
 Internal Pilot Operated Poppet Valve
 In / Out / Exhaust - 1/4" BSP
 Compressed Air (Filtered & Lubricated)
 2-10 Bar
 7mm
 5°C - 60°C
 Aluminium, Nitrile, Brass, Polymer

Coil Specification

Operating Voltage :

24V AC	110V AC	230V AC	12V DC	24V DC
--------	---------	---------	--------	--------

Power Consumption :

9W	9W	9W	10W	11W
----	----	----	-----	-----

Coil Features :

High Reliability Unaffected by Voltage Surges. Easy coil changes coil lockable in 4X90 position or freely movable in between as require.

Coil Housing :

Epoxy square coil, Metallic round enclosure, IP-67 Flameproof junction box, IP-68 Weatherproof enclosure.

Port Connection

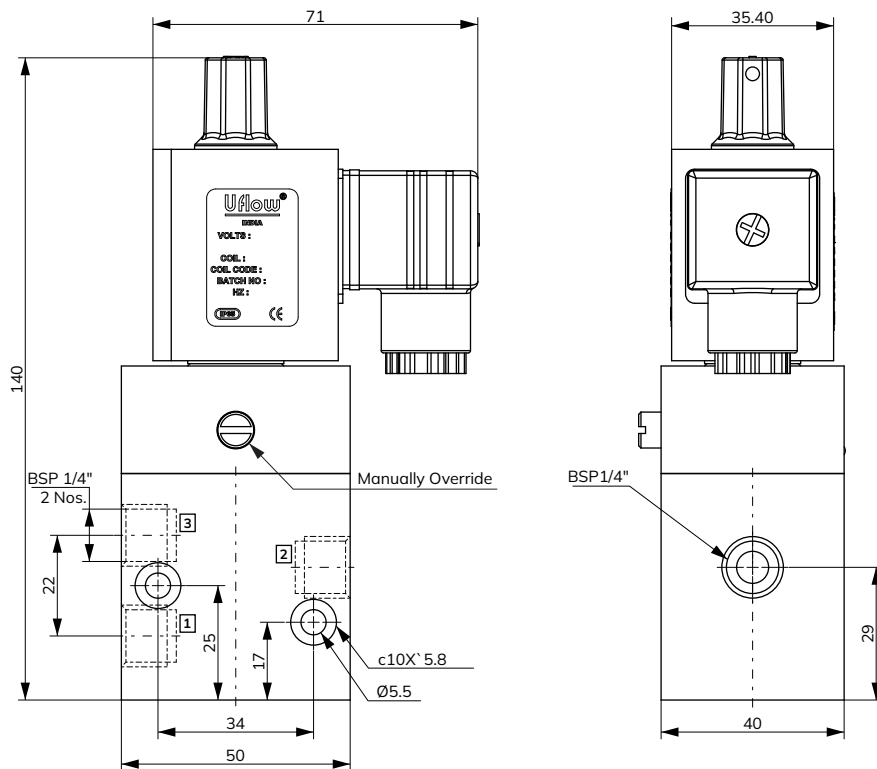
1 - Input, 2/4 - Output, 3/5 - Exhaust

Model No.	Coil Type	Function	Symbol
CSA1BN23ET070V0	AC	Single Solenoid Spring Return (NC)	
CSA1BN23FT070V0	DC		

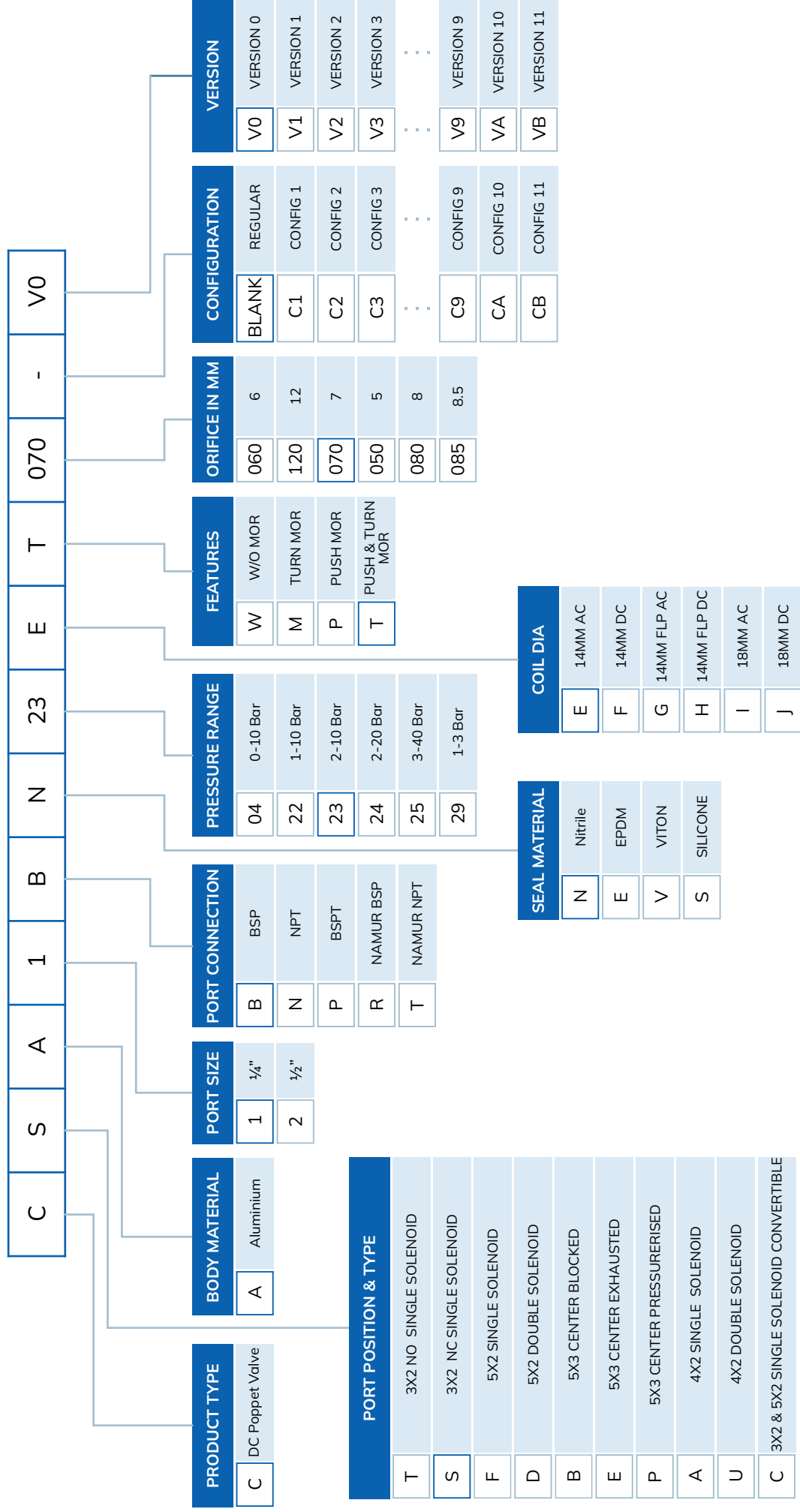
Features

- Fast response time 1000 cycle/min
- Manual override
- 2 Million cycle tested
- Lubrication not essential

Dimension Drawing (All dimensions in mm)



DC SOLENOID VALVE MODEL IDENTIFICATION CHART



CSA1BN23ET070V0

1/4" 3X2 SINGLE SOLENOID DC POPPET TYPE VALVE ALUMINIUM - BSP - NITRILE - 2 TO 10 Bar-14MM AC - PUSH & TURN MOR - 7MM ORIFICE

Global Presence...



Made In India



CONTACT US:

✉ sales@uflowvalve.com ☎ +91 89059 07070 📞 +91-2827-254343 🌐 www.uflowvalve.com

📍 Uflow Automation, Ankur Industrial Complex, Sur vey No: 275/276, Plot No: 31, Nr. Intol Cast Pvt. Ltd. Shapar(Veraval) Dist.: Gujarat (India) - 360 024.