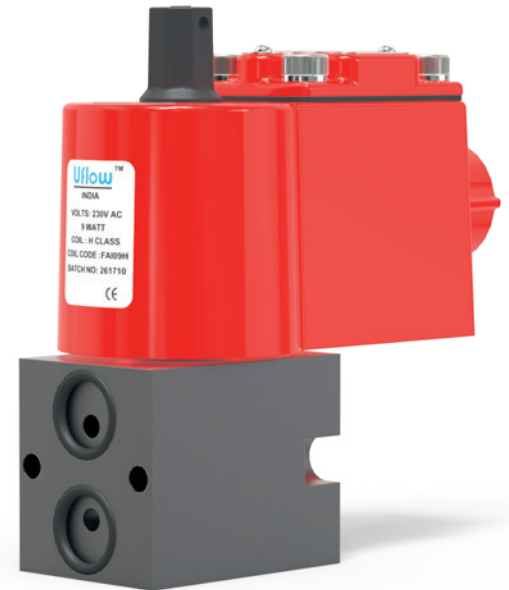


**3 WAY DIRECT ACTING NAMUR  
POPPET TYPE VALVE**

Automation  
Simplified...



Solenoid Valve

Angle Seat Valve

Rotary Coupling

Pneumatic Directional Control Valve

Actuator

Cylinder

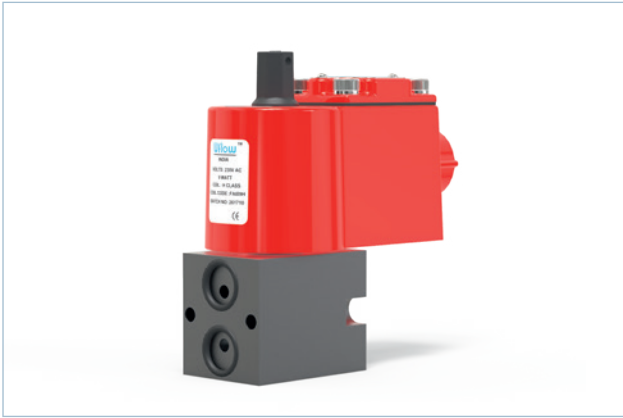
One Touch Fitting

Ball Valve

Butterfly Valve

Country of Origin - INDIA





## Valve Specifications

<b>Type :</b>	3 Way
<b>Design :</b>	3 Way Direct Acting Poppet Type
<b>Port Size :</b>	In / Out / Exhaust - ½" BSP
<b>Media :</b>	Compressed Air (Filtered & Lubricated)
<b>working Pressure Range :</b>	0-10 Bar
<b>Orifice :</b>	5mm
<b>Ambient / Media Temperature :</b>	5°C - 60°C
<b>Materials of Construction :</b>	Aluminium, Nitrile, Brass, Polymer

## Coil Specification

**Operating Voltage :**

24V AC	110V AC	230V AC	24V DC
--------	---------	---------	--------

**Power Consumption :**

9W	9W	9W	11W
----	----	----	-----

**Coil Features :**

High Reliability Unaffected by Voltage Surges. Easy coil changes coil lockable in 4X90 position or freely movable in between as require.

**Coil Housing :**

Epoxy square coil, Metallic round enclosure, IP-67 Flameproof enclosure, IP-68 Weatherproof enclosure.

## Port Connection

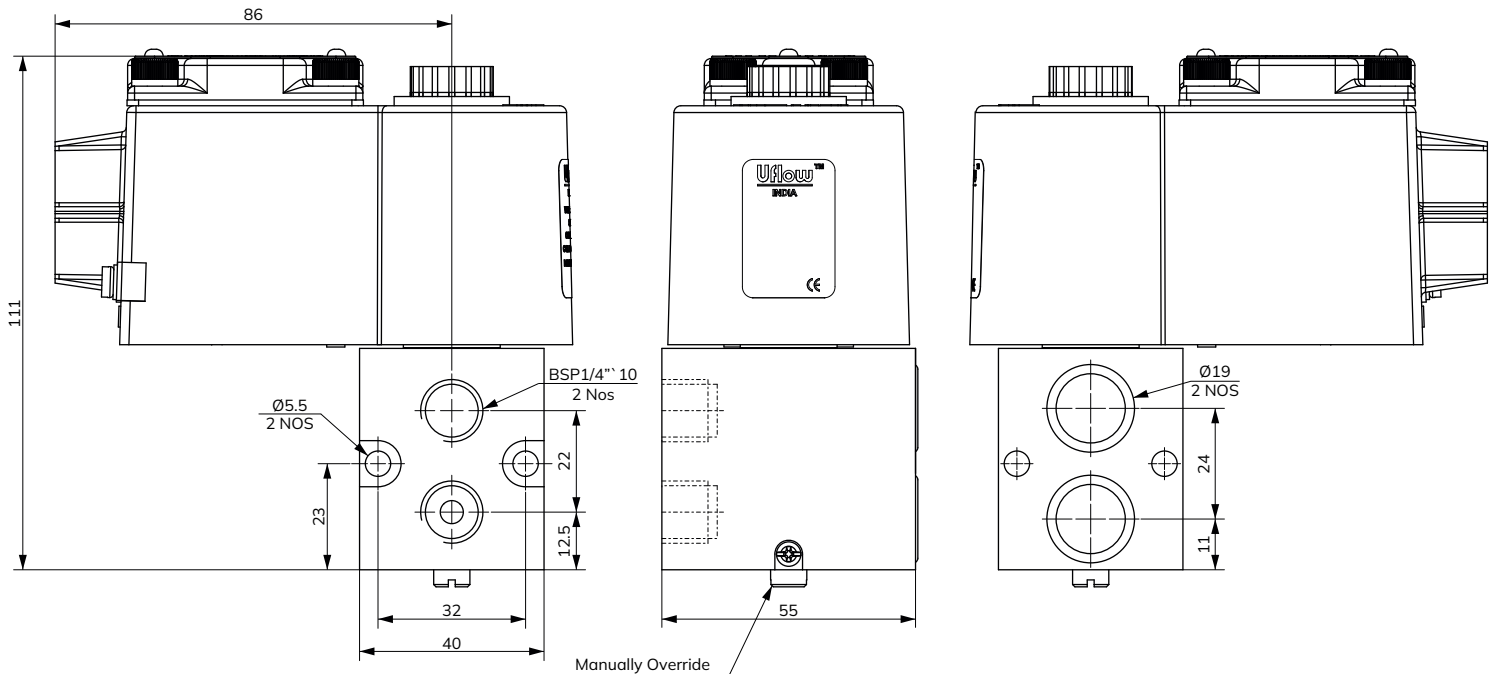
1 - Input, 2/4 - Output, 3/5 - Exhaust

Model No.	Coil Type	Function	Symbol
TAN104RNGT050V0	AC	Single Solenoid Spring Return	
TAN104RNHT050V0	DC		

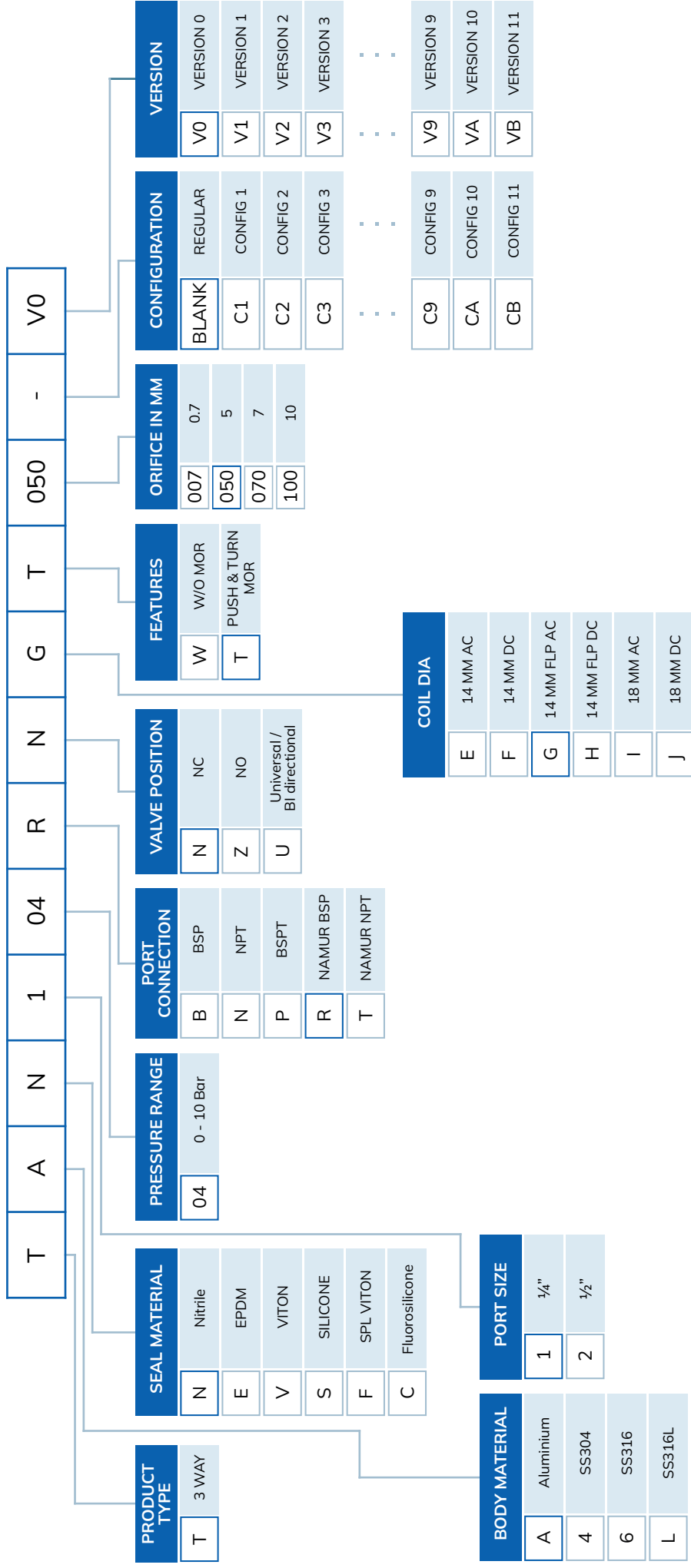
## Features

- Fast response time 1000 cycle/min
- Manual override
- 2 Million cycle tested
- Lubrication not essential

## Dimension Drawing (All dimensions in mm)



# 3 WAY DIRECT ACTING POPPET TYPE VALVE MODEL IDENTIFICATION CHART



# Global Presence...



Made In India



## CONTACT US:

✉ [sales@uflowvalve.com](mailto:sales@uflowvalve.com)    ☎ +91 89059 07070    📞 +91-2827-254343    🌐 [www.uflowvalve.com](http://www.uflowvalve.com)

📍 Uflow Automation, Ankur Industrial Complex, Sur vey No: 275/276, Plot No: 31, Nr. Intol Cast Pvt. Ltd. Shapar( Veraval) Dist.: Gujarat (India) - 360 024.