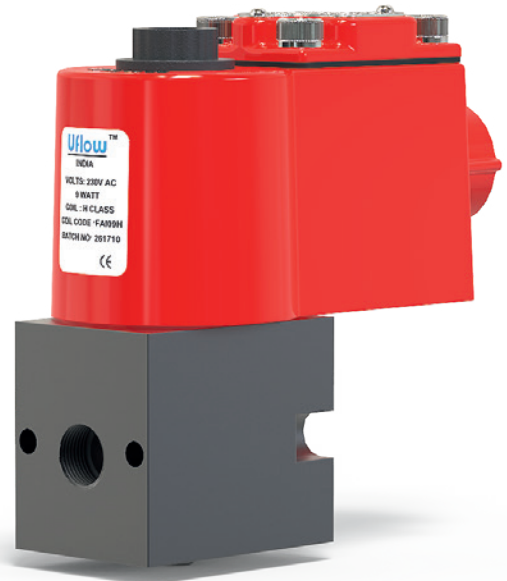


# 3 WAY DIRECT ACTING POPPET VALVE (Universal)

Automation  
Simplified...



Solenoid Valve

Angle Seat Valve

Rotary Coupling

Pneumatic Directional Control Valve

Actuator

Cylinder

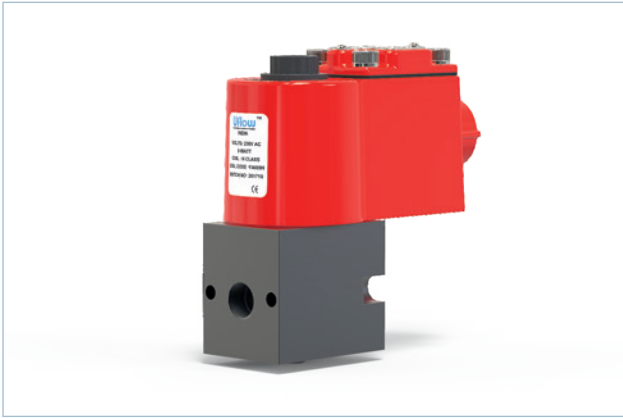
One Touch Fitting

Ball Valve

Butterfly Valve

Country of Origin - INDIA





**Valve Specifications**

<b>Type :</b>	3 Way
<b>Design :</b>	3 Way Direct Acting Poppet Type
<b>Port Size :</b>	In / Out / Exhaust - ¼" BSP
<b>Media :</b>	Compressed Air (Filtered & Lubricated)
<b>working Pressure Range :</b>	0-10 Bar
<b>Orifice :</b>	5mm
<b>Ambient / Media Temperature :</b>	5°C - 60°C
<b>Materials of Construction :</b>	Aluminium, Nitrile, Brass, Polymer

**Coil Specification**

<b>Operating Voltage :</b>	24V AC	110V AC	230V AC	24V DC
<b>Power Consumption :</b>	9W	9W	9W	11W
<b>Coil Features :</b>	High Reliability Unaffected by Voltage Surges. Easy coil changes coil lockable in 4X90 position or freely movable in between as require.			
<b>Coil Housing :</b>	Epoxy square coil, Metallic round enclosure, IP-67 Flameproof enclosure, IP-68 Weatherproof enclosure.			

**Port Connection**

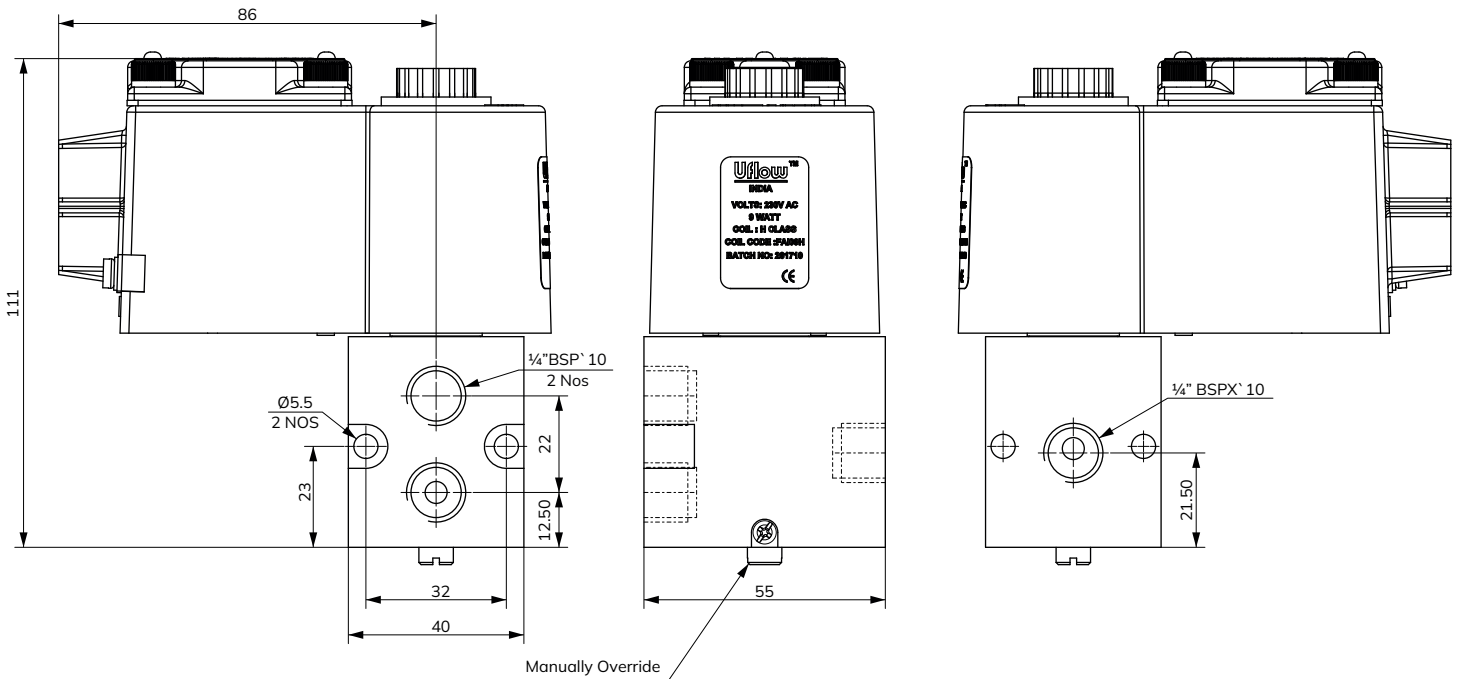
1 - Input, 2/4 - Output, 3/5 - Exhaust

Model No.	Coil Type	Function	Symbol
TAN104BUGT050V0	AC	Single Solenoid Spring Return	
TAN104BUHT050V0	DC		

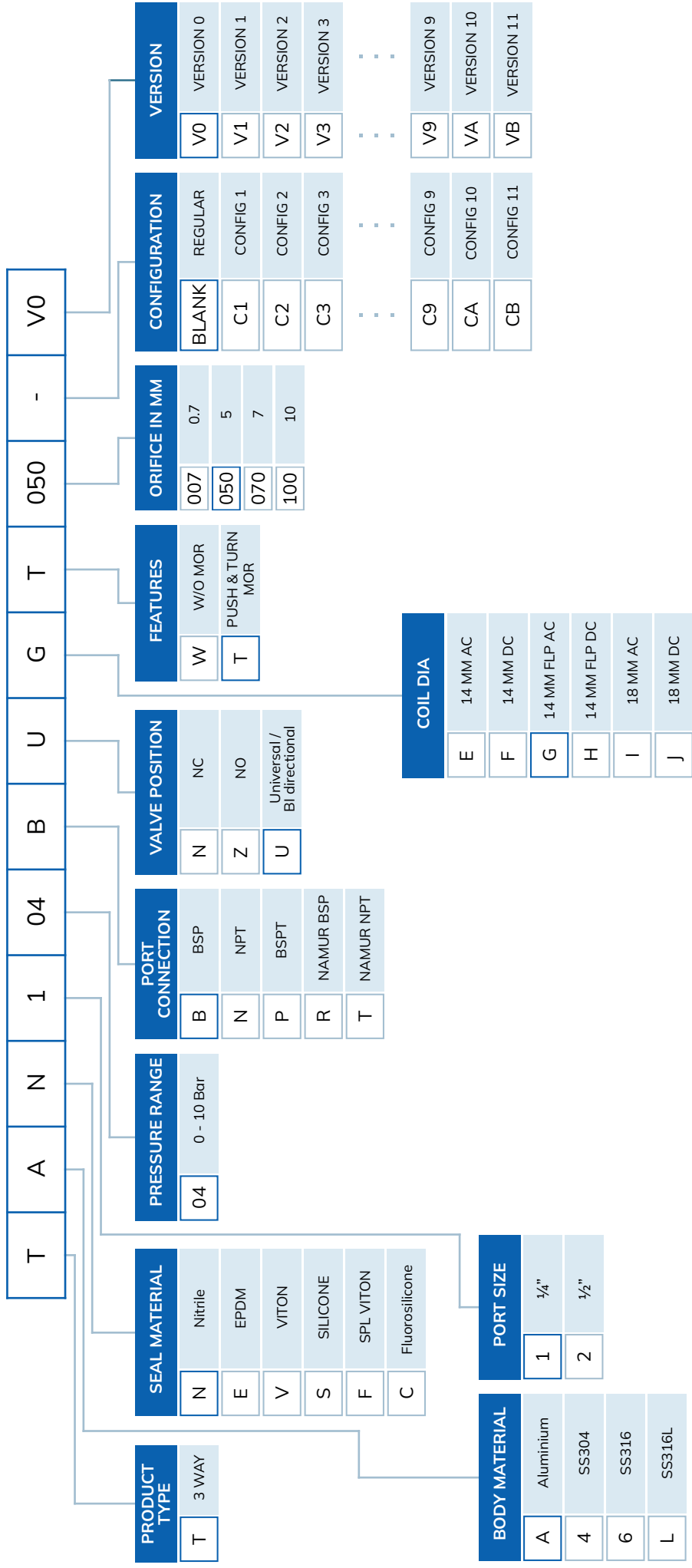
**Features**

- Fast response time 1000 cycle/min
- Manual override
- 2 Million cycle tested
- Lubrication not essential
- Universal Type (NO/NC)

**Dimension Drawing** (All dimensions in mm)



# 3 WAY DIRECT ACTING POPPET TYPE VALVE MODEL IDENTIFICATION CHART



TAN104BUGT050V0  
1/4" 3 WAY DIRECT ACTING Aluminium-Nitrile-0 TO 10bar-BSP- Universal / BI directional-18mm AC-Push & Turn Mor - 5mm ORIFICE

# Global Presence...



Made In India



## CONTACT US:

✉ [sales@uflowvalve.com](mailto:sales@uflowvalve.com)    ☎ +91 89059 07070    📞 +91-2827-254343    🌐 [www.uflowvalve.com](http://www.uflowvalve.com)

📍 Uflow Automation, Ankur Industrial Complex, Sur vey No: 275/276, Plot No: 31, Nr. Intol Cast Pvt. Ltd. Shapar( Veraval) Dist.: Gujarat (India) - 360 024.