

**5/2 SINGLE SOLENOID DIRECTIONAL CONTROL POPPET VALVE
(Monostable)**

Automation
Simplified...



Solenoid Valve

Angle Seat Valve

Rotary Coupling

Pneumatic Directional Control Valve

Actuator

Cylinder

One Touch Fitting

Ball Valve

Butterfly Valve

Country of Origin - INDIA





Valve Specifications

Type :	5/2
Design :	Internal Pilot Operated Poppet Valve
Port Size :	In / Out / Exhaust - 1/4" BSP
Media :	Compressed Air (Filtered & Lubricated)
working Pressure Range :	2-10 Bar
Orifice :	7mm
Ambient / Media Temperature :	5°C - 60°C
Materials of Construction :	Aluminium, Nitrile, Brass, Polymer

Coil Specification

Operating Voltage :	24V AC	110V AC	230V AC	12V DC	24V DC
Power Consumption :	9W	9W	9W	10W	11W
Coil Features :	High Reliability Unaffected by Voltage Surges. Easy coil changes coil lockable in 4X90 position or freely movable in between as require.				
Coil Housing :	Epoxy square coil, Metallic round enclosure, IP-67 Flameproof enclosure, IP-68 Weatherproof enclosure.				

Port Connection

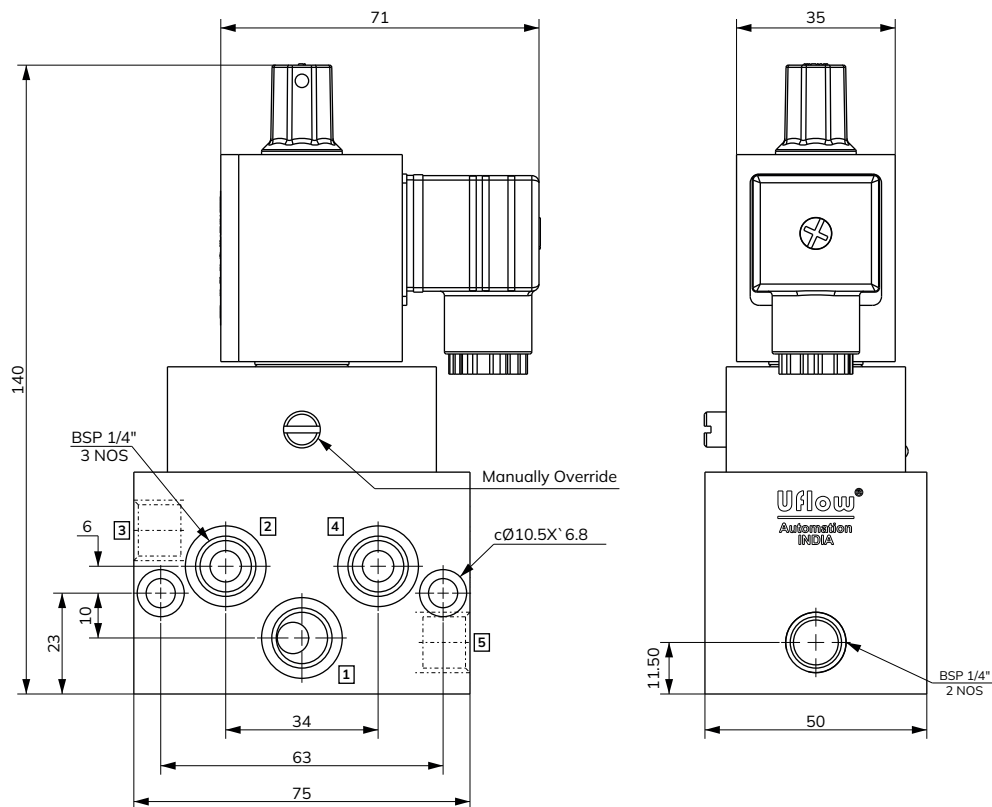
1 - Input, 2/4 - Output, 3/5 - Exhaust

Model No.	Coil Type	Function	Symbol
CFA1BN23ET070V0	AC	Single Solenoid Spring Return	
CFA1BN23FT070V0	DC		

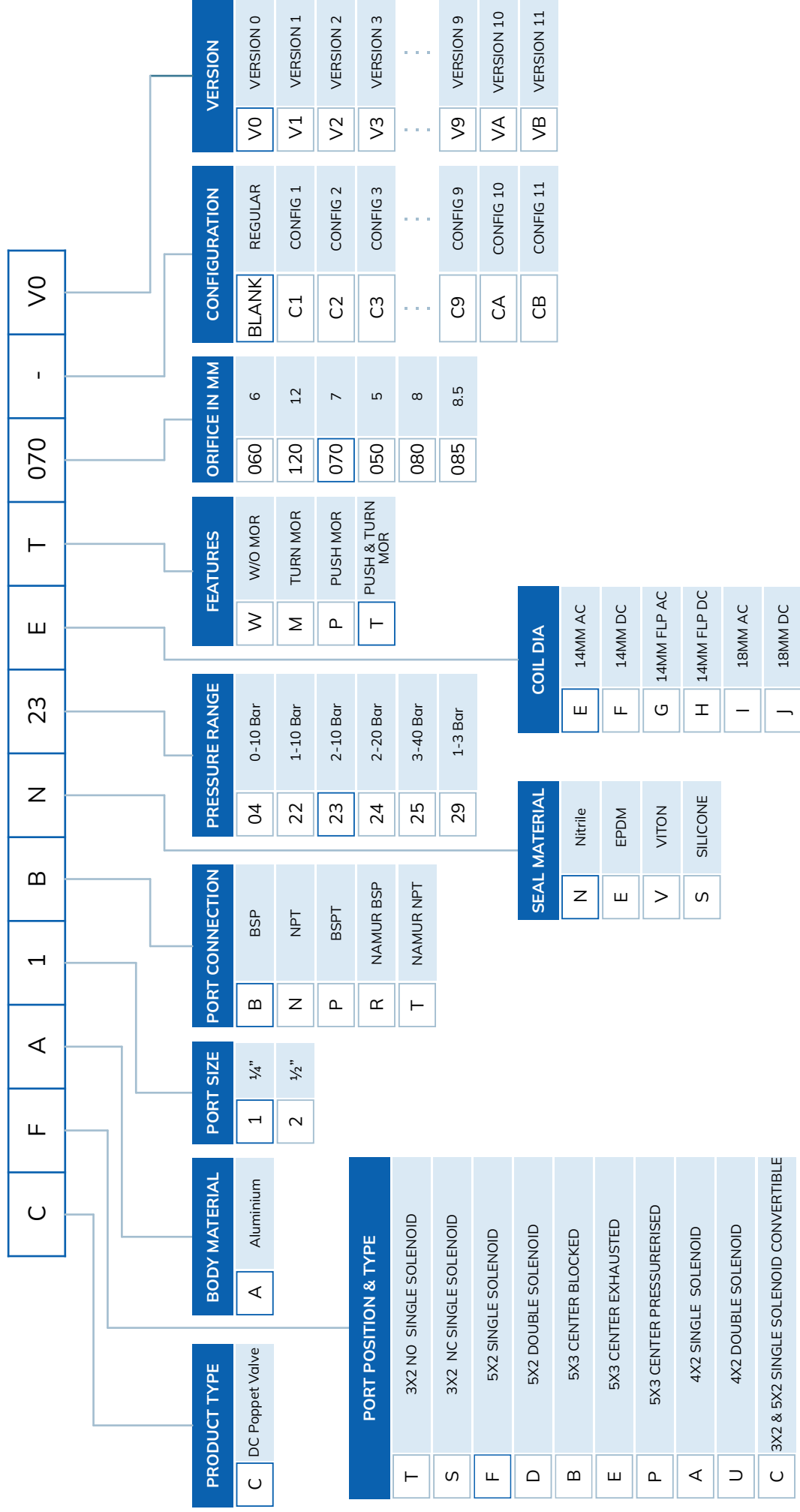
Features

- Fast response time 1000 cycle/min
- Manual override
- 2 Million cycle tested
- Lubrication not essential

Dimension Drawing (All dimensions in mm)



DC SOLENOID VALVE MODEL IDENTIFICATION CHART



CFA1BN23ET070V0

1/4" 5X2 SINGLE SOLENOID DC POPPET TYPE VALVE ALUMINIUM - BSP - NITRILE - 2 TO 10 Bar-14MM AC - PUSH & TURN MOR - 7MM ORIFICE

Global Presence...



Made In India



CONTACT US:

✉ sales@uflowvalve.com ☎ +91 89059 07070 📞 +91-2827-254343 🌐 www.uflowvalve.com

📍 Uflow Automation, Ankur Industrial Complex, Sur vey No: 275/276, Plot No: 31, Nr. Intol Cast Pvt. Ltd. Shapar(Veraval) Dist.: Gujarat (India) - 360 024.