

Automation  
Simplified...



Solenoid Valve

Angle Seat Valve

Rotary Coupling

Pneumatic Directional Control Valve

Actuator

Cylinder

One Touch Fitting

Ball Valve

Butterfly Valve



**Valve Specifications**

Type :	3/2
Design :	Internal Pilot Operated Poppet Valve
Port Size :	In / Out / Exhaust - 1/4" BSP (Available in NPT)
Media :	Compressed Air (Filtered & Lubricated)
working Pressure Range :	2-10 Bar
Orifice :	7mm
Flow Factor :	18 kv (LPM of Water @ 1 bar ΔP)
Ambient / Media Temperature :	5°C - 60°C
Materials of Construction :	Aluminium, Nitrile, Polymer, Brass

**Coil Specification**

Operating Voltage :	24V AC	110V AC	230V AC	12V DC	24V DC
Power Consumption :	9W	9W	9W	10W	11W
Coil Features :	High Reliability Unaffected by Voltage Surges. Easy coil changes coil lockable in 4X90 position or freely movable in between as require.				
Coil Housing :	IP65 Epoxy square coil, IP65 Metallic round enclosure, IP67 Flameproof Junction box, IP68 Weatherproof enclosure.				

**Port Connection**

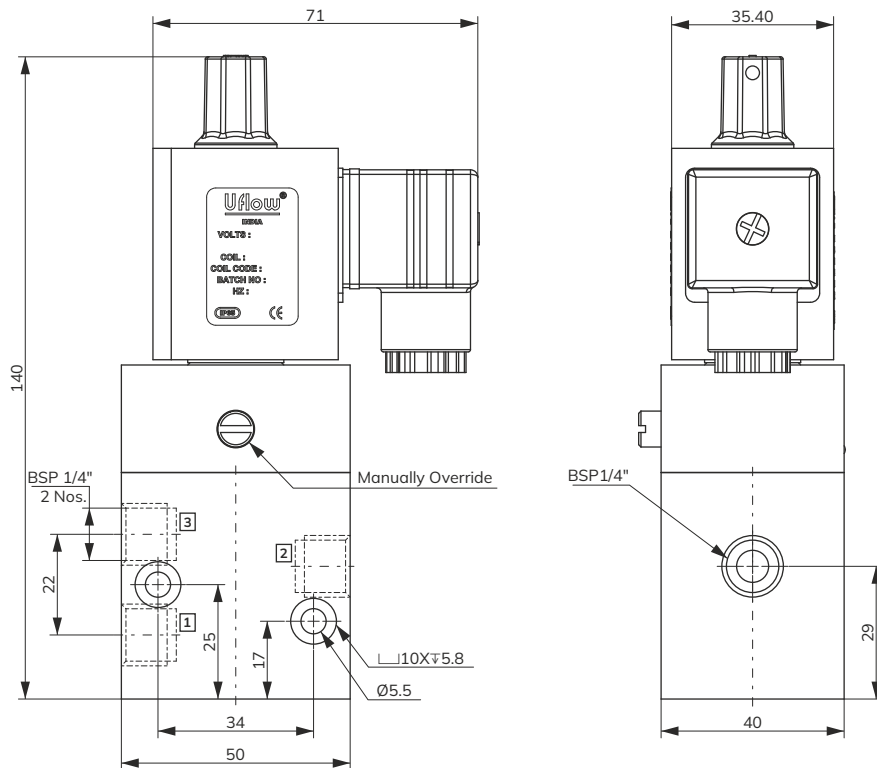
1 - Input, 2 - Output, 3 - Exhaust

Model No.	Valve Type	Function	Symbol
CSA1BN23ET070V0	NC	Single Solenoid Spring Return (NC / NO)	
CSA1BN23FT070V0	NO	Single Solenoid Spring Return (NC / NO)	

**Features**

- Fast response time 600 cycle/min
- Manual override
- 10 Million cycle tested
- Lubrication not essential

**Dimension Drawing** (All dimensions in mm)





**Valve Specifications**

Type :	5/2
Design :	Internal Pilot Operated Poppet Valve
Port Size :	In / Out / Exhaust - 1/4" BSP (Available in NPT)
Media :	Compressed Air (Filtered & Lubricated)
working Pressure Range :	2-10 Bar
Orifice :	7mm
Flow Factor :	18 kv (LPM of Water @ 1 bar ΔP)
Ambient / Media Temperature :	5°C - 60°C
Materials of Construction :	Aluminium, Nitrile, Polymer, Brass

**Coil Specification**

Operating Voltage :

24V AC	110V AC	230V AC	12V DC	24V DC
--------	---------	---------	--------	--------

Power Consumption :

9W	9W	9W	10W	11W
----	----	----	-----	-----

Coil Features :

High Reliability Unaffected by Voltage Surges. Easy coil changes coil lockable in 4X90 position or freely movable in between as require.

Coil Housing :

IP65 Epoxy square coil, IP65 Metallic round enclosure, IP67 Flameproof Junction box, IP68 Weatherproof enclosure.

**Port Connection**

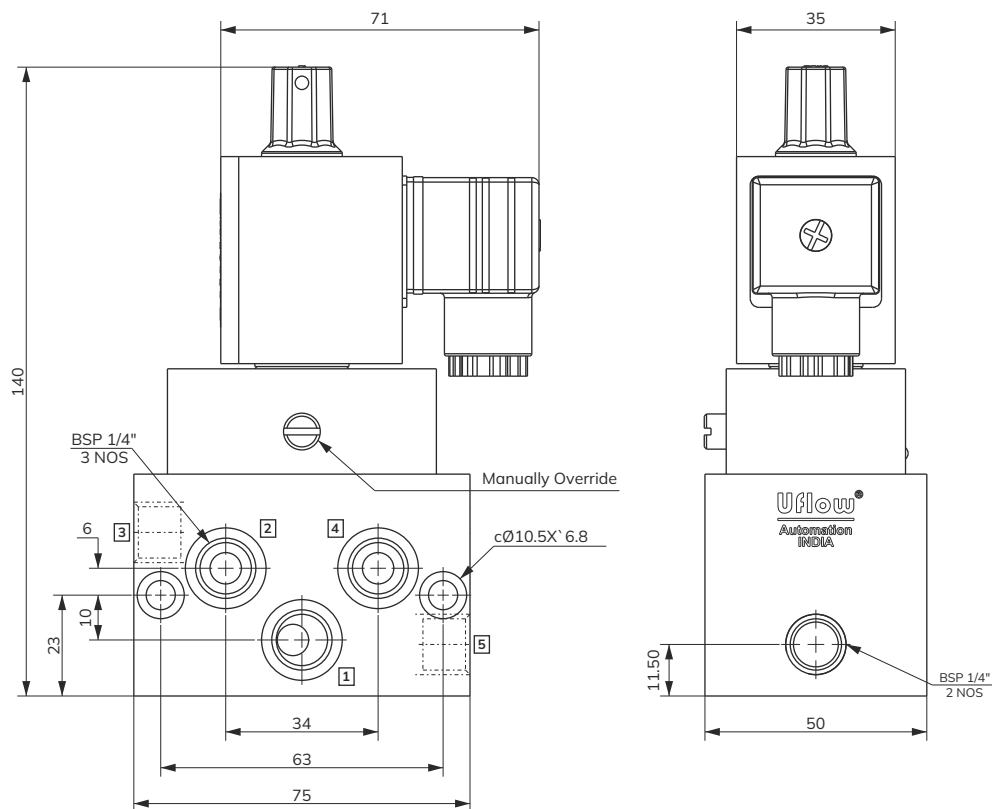
1 - Input, 2/4 - Output, 3/5 - Exhaust

Model No.	Coil Type	Function	Symbol
CFA1BN23ET070V0	AC	Single Solenoid Spring Return	
CFA1BN23FT070V0	DC		

**Features**

- Fast response time 1000 cycle/min
- Manual override
- 10 Million cycle tested
- Lubrication not essential

**Dimension Drawing** (All dimensions in mm)





**Valve Specifications**

Type :	3/2 - 5/2
Design :	Internal Pilot Operated Poppet Valve
Port Size :	In / Exhaust - 1/4" BSP & Out - Namur Hole Pattern (Available in NPT)
Media :	Compressed Air (Filtered & Lubricated)
working Pressure Range :	2-10 Bar
Orifice :	7mm
Flow Factor :	18 kv (LPM of Water @ 1 bar ΔP)
Ambient / Media Temperature :	5°C - 60°C
Materials of Construction :	Aluminium, Nitrile, Polymer, Brass

**Coil Specification**

Operating Voltage :	24V AC	110V AC	230V AC	12V DC	24V DC
Power Consumption :	9W	9W	9W	10W	11W
Coil Features :	High Reliability Unaffected by Voltage Surges. Easy coil changes coil lockable in 4X90 position or freely movable in between as require.				
Coil Housing :	IP65 Epoxy square coil, IP65 Metallic round enclosure, IP67 Flameproof Junction box, IP68 Weatherproof enclosure.				

**Port Connection**

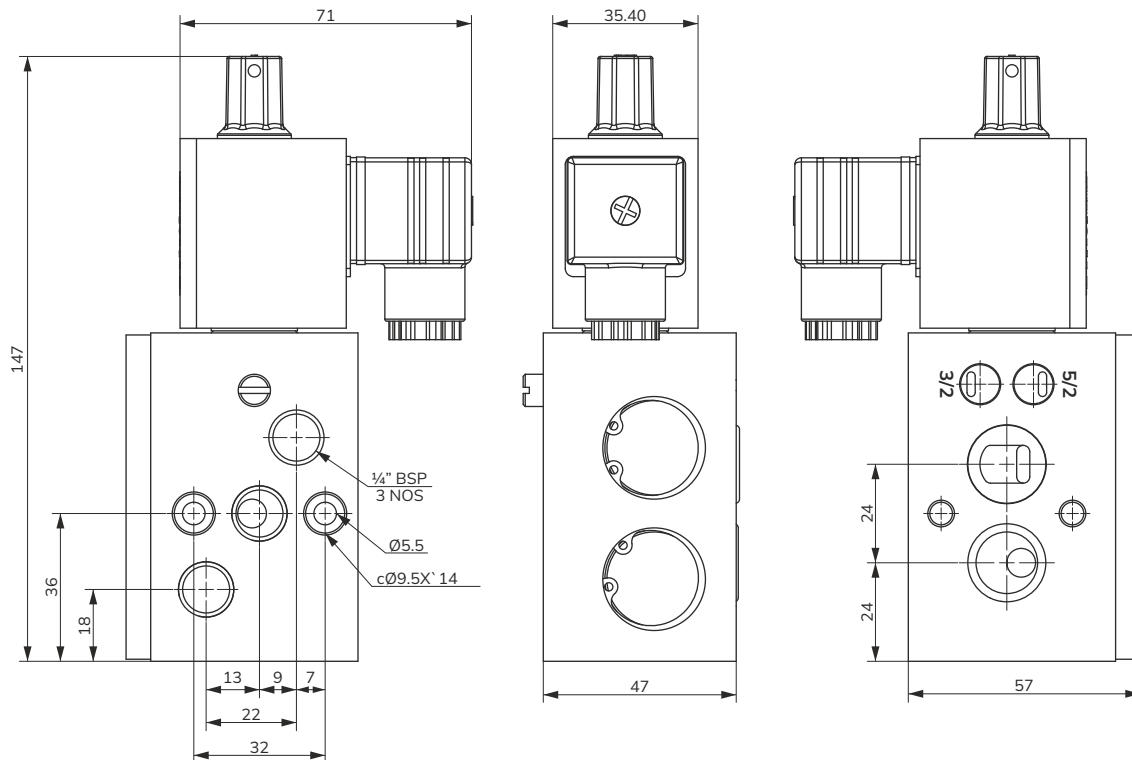
1 - Input, 2/4 - Output, 3/5 - Exhaust

Model No.	Coil Type	Function	Symbol
CCA1RN23ET070V0	AC	Single Solenoid Spring Return	5X2
CCA1RN23FT070V0	DC		3X2

**Features**

- Fast response time 1000 cycle/min
- Manual override
- 10 Million cycle tested
- Lubrication not essential

**Dimension Drawing** (All dimensions in mm)





**Valve Specifications**

Type :	5/2
Design :	Internal Pilot Operated Poppet Valve
Port Size :	In / Out / Exhaust - 1/4" BSP (Available in NPT)
Media :	Compressed Air (Filtered & Lubricated)
working Pressure Range :	2-10 Bar
Orifice :	7mm
Flow Factor :	18 kv (LPM of Water @ 1 bar ΔP)
Ambient / Media Temperature :	5°C - 60°C
Materials of Construction :	Aluminium, Nitrile, Polymer, Brass

**Coil Specification**

Operating Voltage :  
Power Consumption :  
Coil Features :  
Coil Housing :

24V AC	110V AC	230V AC	12V DC	24V DC
9W	9W	9W	10W	11W

High Reliability Unaffected by Voltage Surges. Easy coil changes coil lockable in 4X90 position or freely movable in between as require.  
IP65 Epoxy square coil, IP65 Metallic round enclosure, IP67 Flameproof Junction box, IP68 Weatherproof enclosure.

**Port Connection**

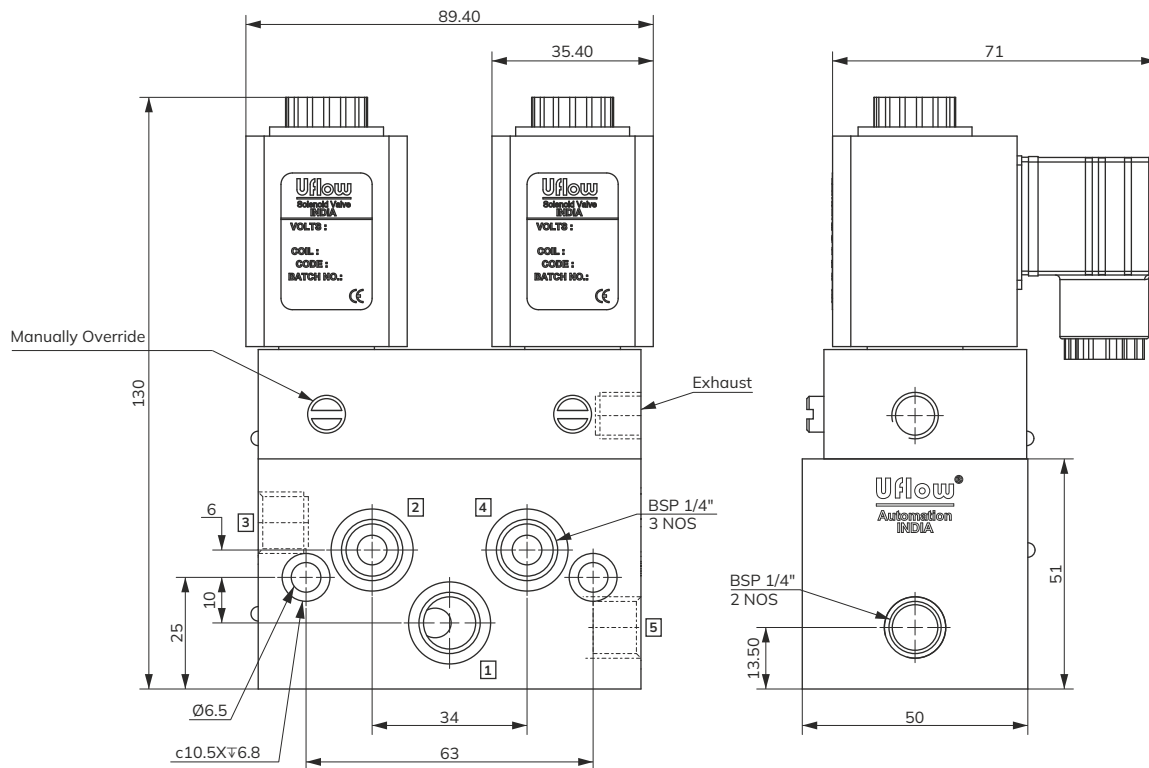
1 - Input, 2/4 - Output, 3/5 - Exhaust

Model No.	Coil Type	Function	Symbol
CDA1BN23EP060V0	AC	Single Solenoid Spring Return	
CDA1BN23FP060V0	DC		

**Features**

- Fast response time 1000 cycle/min
- Manual override
- 10 Million cycle tested
- Lubrication not essential

**Dimension Drawing** (All dimensions in mm)





**Valve Specifications**

Type :	3/2
Design :	Internal Pilot Operated Poppet Valve
Port Size :	In / Out / Exhaust - 1/2" BSP (Available in NPT)
Media :	Compressed Air (Filtered & Lubricated)
working Pressure Range :	2-10 Bar
Orifice :	16mm
Flow Factor :	75 kv (LPM of Water @ 1 bar ΔP)
Ambient / Media Temperature :	5°C - 60°C
Materials of Construction :	Aluminium, Nitrile, Polymer, Brass

**Coil Specification**

Operating Voltage :	24V AC	110V AC	230V AC	12V DC	24V DC
Power Consumption :	9W	9W	9W	10W	11W
Coil Features :	High Reliability Unaffected by Voltage Surges. Easy coil changes coil lockable in 4X90 position or freely movable in between as require.				
Coil Housing :	IP65 Epoxy square coil, IP65 Metallic round enclosure, IP67 Flameproof Junction box, IP68 Weatherproof enclosure.				

**Port Connection**

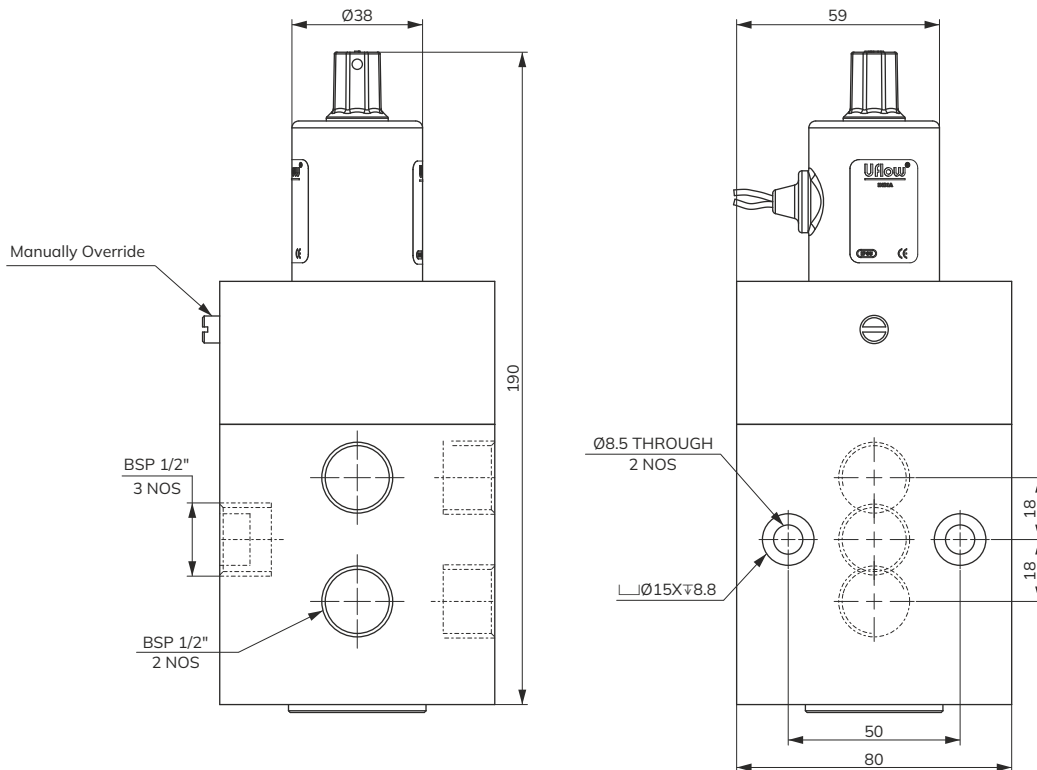
Model No.	Coil Type	Function	Symbol
CSA2BN23ET160V0	AC	Single Solenoid	
CSA2BN23FT160V0	DC		

1 - Input, 2 - Output, 3 - Exhaust

**Features**

- Fast response time 600 cycle/min
- Manual override
- 10 Million cycle tested
- Lubrication not essential

**Dimension Drawing** (All dimensions in mm)





**Valve Specifications**

Type :	3/2
Design :	3 Way Direct Acting Poppet Type
Port Size :	In / Exhaust - 1/4" BSP & Out - Namur Hole Pattern (Available in NPT)
Media :	Compressed Air (Filtered & Lubricated)
working Pressure Range :	2-10 Bar
Orifice :	7mm
Flow Factor :	18 kv (LPM of Water @ 1 bar ΔP)
Ambient / Media Temperature :	5°C - 60°C
Materials of Construction :	Aluminium, Nitrile, Polymer, Brass

**Coil Specification**

Operating Voltage :	24V AC	110V AC	230V AC	12V DC	24V DC
Power Consumption :	9W	9W	9W	10W	11W
Coil Features :	High Reliability Unaffected by Voltage Surges. Easy coil changes coil lockable in 4X90 position or freely movable in between as require.				
Coil Housing :	IP65 Epoxy square coil, IP65 Metallic round enclosure, IP67 Flameproof Junction box, IP68 Weatherproof enclosure.				

**Port Connection**

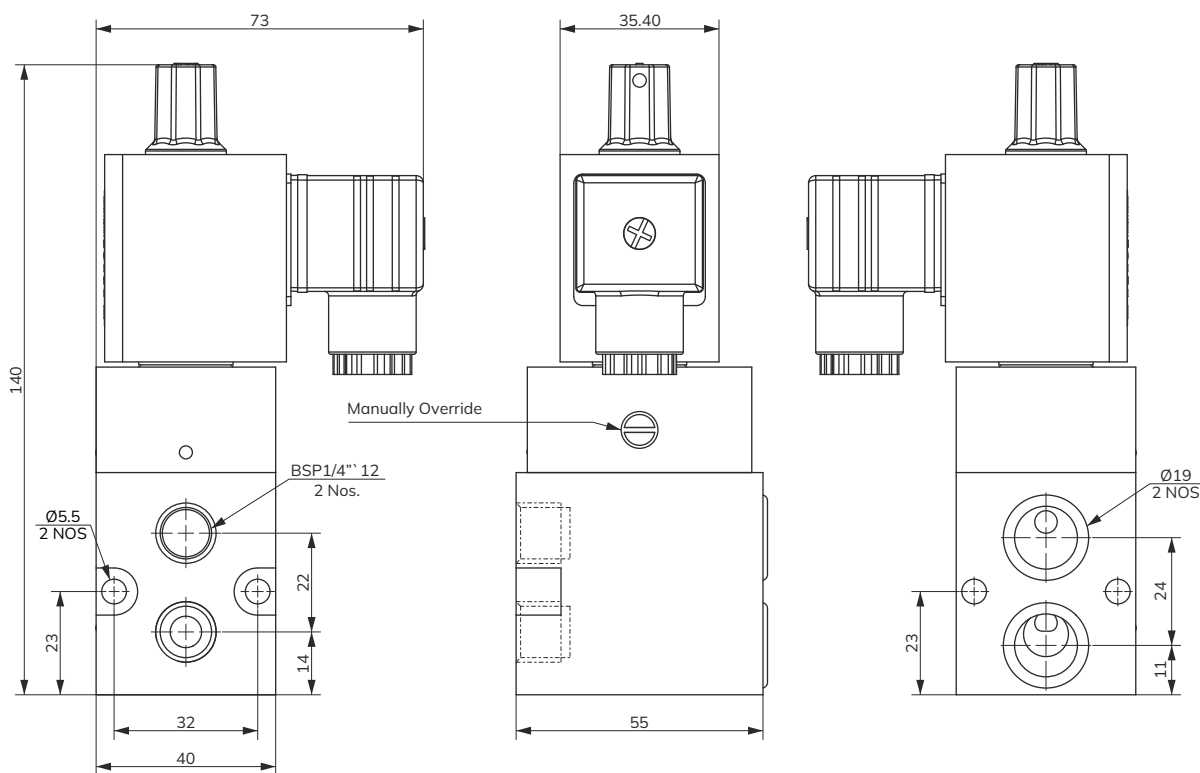
1 - Input, 2/4 - Output, 3 - Exhaust

Model No.	Coil Type	Function	Symbol
CSA1RN23ET070V0	AC	Single Solenoid Spring Return	
CSA1RN23FT070V0	DC		

**Features**

- Fast response time 1000 cycle/min
- Manual override
- 10 Million cycle tested
- Lubrication not essential

**Dimension Drawing** (All dimensions in mm)





## Valve Specifications

Type :	3 Way
Design :	3 Way Direct Acting Poppet Type
Port Size :	In / Out / Exhaust - ¼" BSP (Available in NPT)
Media :	Compressed Air (Filtered & Lubricated)
working Pressure Range :	0-10 Bar
Orifice :	5mm
Flow Factor :	8 kv (LPM of Water @ 1 bar ΔP)
Ambient / Media Temperature :	5°C - 60°C
Materials of Construction :	Aluminium, Nitrile, Polymer, Brass

## Coil Specification

Operating Voltage :  
Power Consumption :

24V AC	110V AC	230V AC	24V DC
9W	9W	9W	11W

Coil Features :  
Coil Housing :

High Reliability Unaffected by Voltage Surges. Easy coil changes coil lockable in 4X90 position or freely movable in between as require.  
IP65 Epoxy square coil, IP65 Metallic round enclosure, IP67 Flameproof Junction box, IP68 Weatherproof enclosure.

## Port Connection

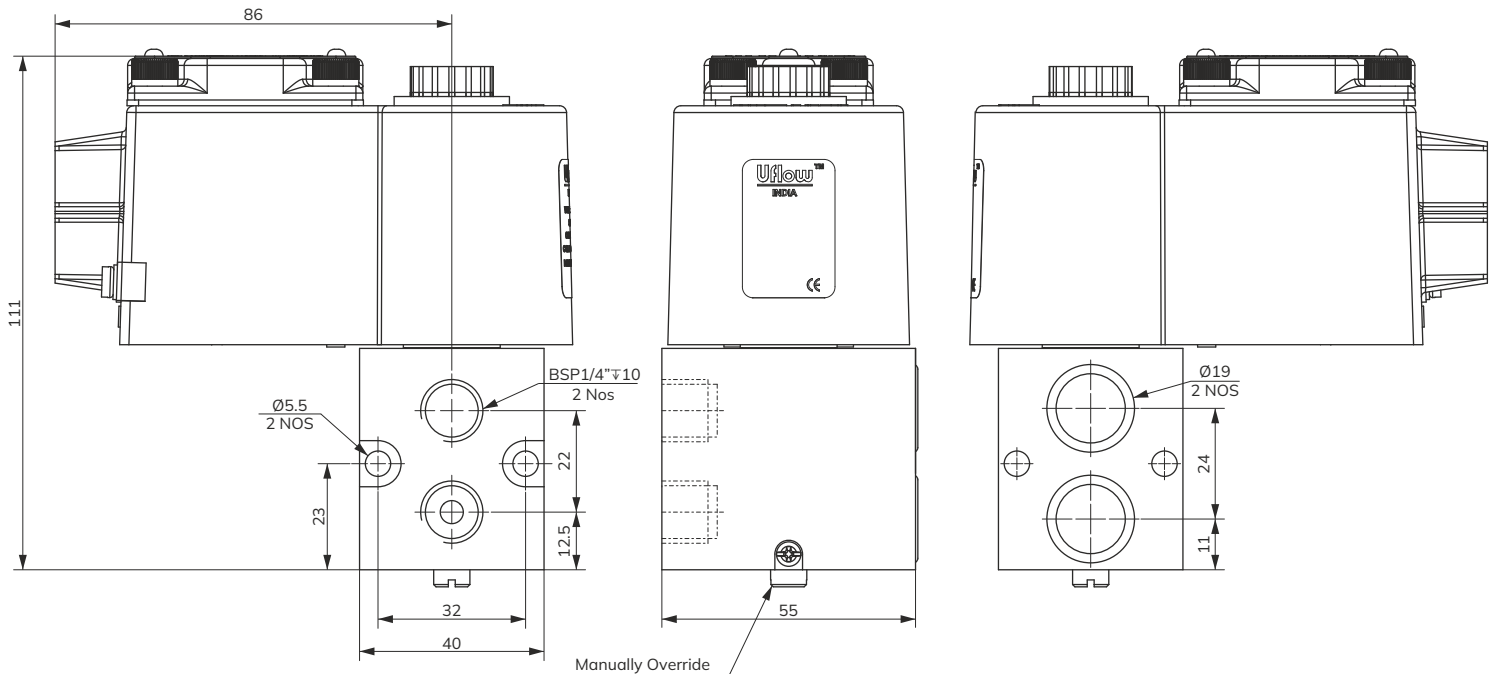
1 - Input, 2/4 - Output, 3 - Exhaust

Model No.	Coil Type	Function	Symbol
TAN104RNGT050V0	AC	Single Solenoid Spring Return	
TAN104RNHT050V0	DC		

## Features

- Fast response time 1000 cycle/min
- Manual override
- 10 Million cycle tested
- Lubrication not essential

## Dimension Drawing (All dimensions in mm)







**Valve Specifications**

Type :  
 Design :  
 Port Size :  
 Media :  
 working Pressure Range :  
 Orifice :  
 Flow Factor :  
 Ambient / Media Temperature :  
 Materials of Construction :

3 Way	
3 Way Direct Acting Poppet Type	
In / Out / Exhaust - ¼" BSP	In / Out / Exhaust - ½" BSP
Compressed Air (Filtered & Lubricated)	
0-10 Bar	
7mm	10mm
14 kv (LPM of Water @ 1 bar ΔP)	30 kv (LPM of Water @ 1 bar ΔP)
5°C - 60°C	
Aluminium, Nitrile, Polymer, Brass	

**Coil Specification**

Operating Voltage :  
 Power Consumption :  
 Coil Features :  
 Coil Housing :

24V AC	110V AC	230V AC	12V DC	24V DC
9W	9W	9W	10W	11W

High Reliability Unaffected by Voltage Surges. Easy coil changes coil lockable in 4X90 position or freely movable in between as require.  
 IP65 Epoxy square coil, IP65 Metallic round enclosure, IP67 Flameproof Junction box, IP68 Weatherproof enclosure.

**Port Connection**

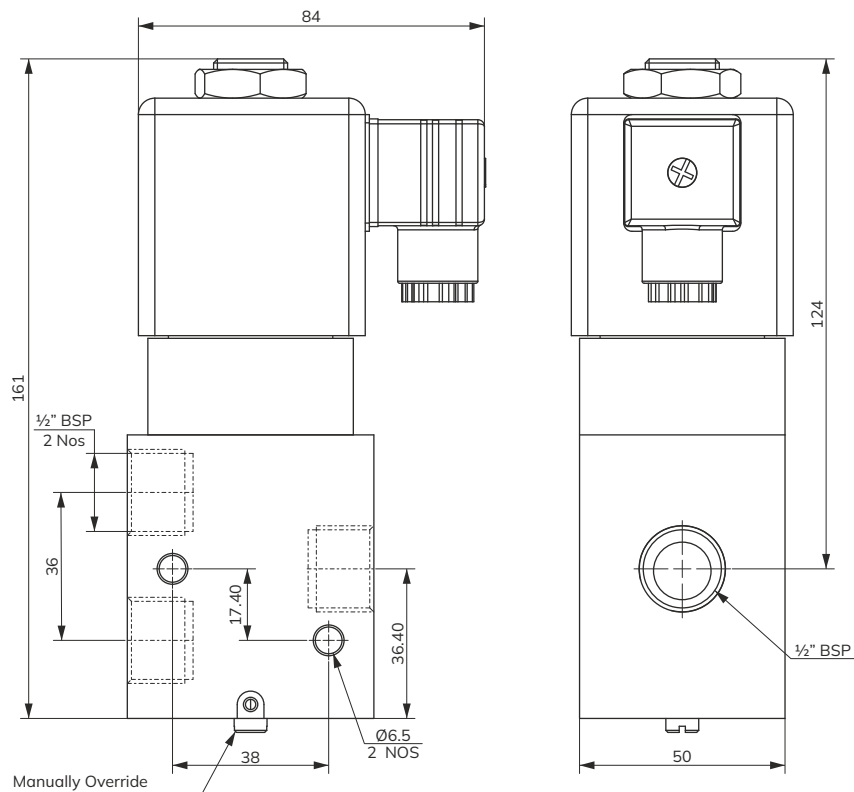
1 - Input, 2 - Output, 3 - Exhaust

Model No.	Coil Type	Function	Symbol
TAN204BNIT100V0	AC	Single Solenoid Spring Return	
TAN204BNJT100V0	DC		

**Features**

- Fast response time 1000 cycle/min
- Manual override
- 10 Million cycle tested
- Lubrication not essential

**Dimension Drawing** (All dimensions in mm)





### Valve Specifications

Type :	3 Way
Design :	3 Way Direct Acting Poppet Type
Port Size :	In / Out / Exhaust - ¼" BSP (Available in NPT)
Media :	Compressed Air (Filtered & Lubricated)
working Pressure Range :	0-10 Bar
Orifice :	5mm
Flow Factor :	8 kv (LPM of Water @ 1 bar ΔP)
Ambient / Media Temperature :	5°C - 60°C
Materials of Construction :	Aluminium, Nitrile, Polymer, Brass

### Coil Specification

Operating Voltage :	24V AC	110V AC	230V AC	24V DC
Power Consumption :	9W	9W	9W	11W
Coil Features :	High Reliability Unaffected by Voltage Surges. Easy coil changes coil lockable in 4X90 position or freely movable in between as require.			
Coil Housing :	IP65 Epoxy square coil, IP65 Metallic round enclosure, IP67 Flameproof Junction box, IP68 Weatherproof enclosure.			

### Port Connection

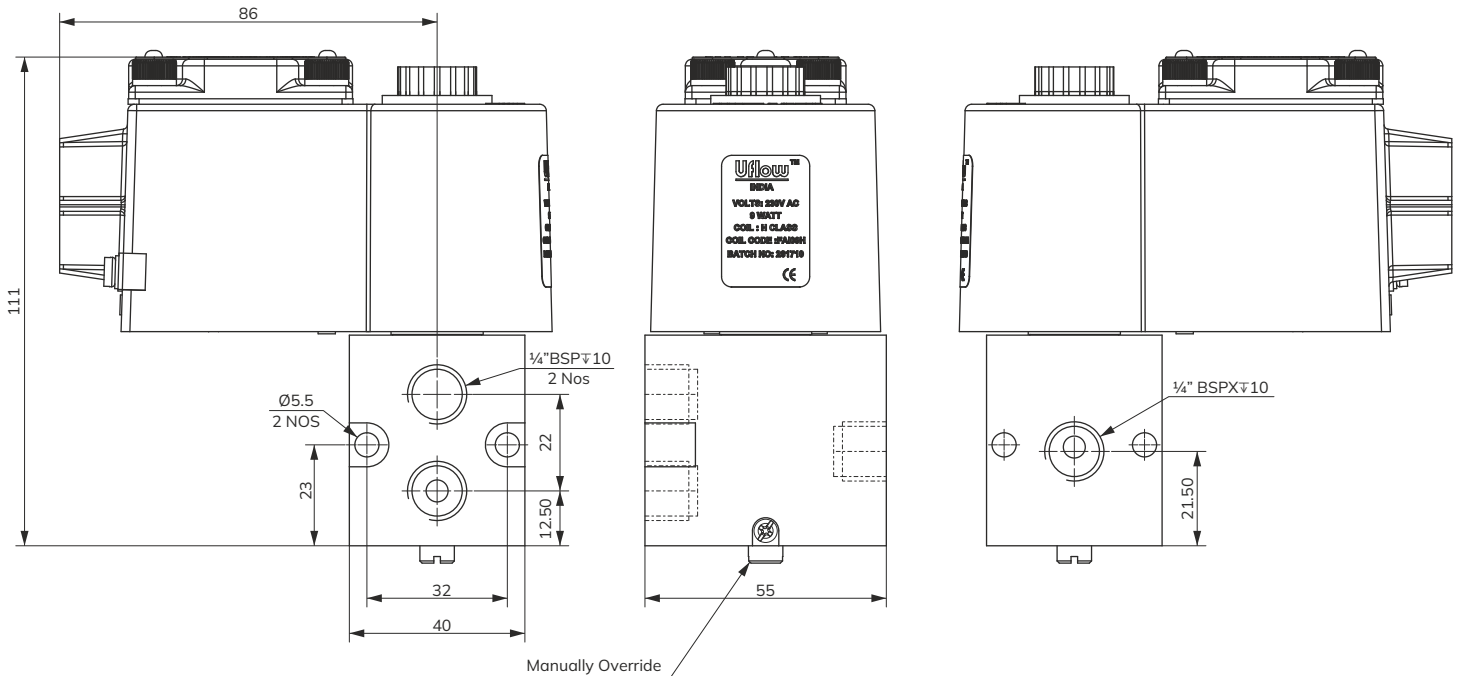
1 - Input, 2 - Output, 3 - Exhaust

Model No.	Coil Type	Function	Symbol
TAN104BUGT050V0	AC	Single Solenoid Spring Return	
TAN104BUHT050V0	DC		

### Features

- Fast response time 1000 cycle/min
- Manual override
- 10 Million cycle tested
- Lubrication not essential
- Universal Type (NO/NC)

### Dimension Drawing (All dimensions in mm)





Valve Specifications

Type :	5x2
Design :	Internal Pilot Operated Poppet Valve
Port Size :	In / Out / Exhaust - 1/2" BSP (Available in NPT)
Media :	Compressed Air (Filtered & Lubricated)
working Pressure Range :	2-10 Bar
Orifice :	12 mm
Flow Factor :	50 kv (LPM of Water @ 1 bar ΔP)
Ambient / Media Temperature :	5°C - 60°C
Materials of Construction :	SS316, Nitrile, Polymer

Coil Specification

Operating Voltage :	24V AC	110V AC	230V AC	24V DC
Power Consumption :	9W	9W	9W	11W
Coil Features :	High Reliability Unaffected by Voltage Surges. Easy coil changes coil lockable in 4X90 position or freely movable in between as require.			
Coil Housing :	IP67 Flameproof Junction box			

Port Connection

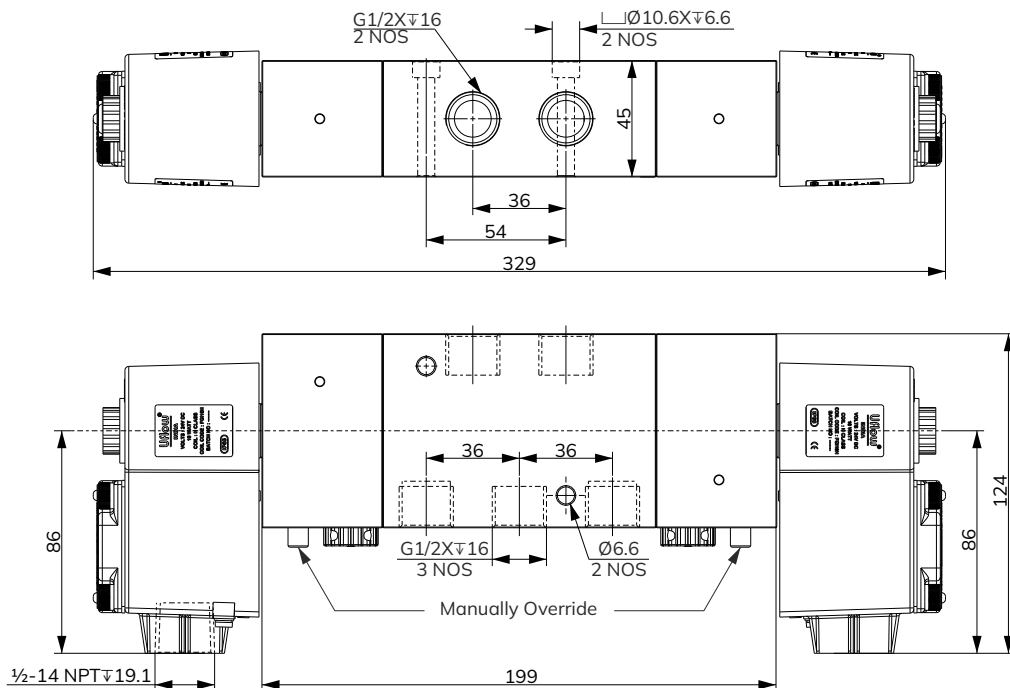
1 - Input, 2/4 - Output, 3/5 - Exhaust

Valve Model No.	Coil Type	Function	Symbol
HD62BN23GP120V0	AC	Double Solenoid	
HD62BN23HP120V0	DC		

Features

- Fast response time 1000 cycle/min
- Manual override
- 20 Million cycle tested
- Lubrication not essential
- Suitable for high speed cycling
- Life > 20 Million Cycle

Dimension Drawing (All dimensions in mm)



# DC SOLENOID POPPET TYPE VALVE MODEL IDENTIFICATION CHART



## HD62BN23GP120V0

1/2" 5X2 DOUBLE SOLENOID DC HYBRID POPPET VALVE SS316-BSP-NITRILE-2 TO 10 Bar-14MM FLP AC-PUSH MOR-12MM ORIFICE



**Valve Specifications**

Type :	3/2
Design :	External Pilot Operated, Poppet Type
Port Size :	G 1/2" BSP Female
Media :	Compressed Air (Filtered & Lubricated)
Seals:	Nitrile Rubber
Orifice:	13mm
Temperature Range:	5°C to 50°C
Mainline Pressure Range:	3 to 20 bar
External Pilot Pressure Range:	5 to 9 bar
Flow (NLPM) at 5 bar	3600 Normal Litres Per Min.
Coil Voltage:	AC: 24V, 110V, 230V   DC: 12V, 24V, 36V, 48V, 110V
Power:	AC: 6W   DC: 6W
Duty Cycle:	Continuous
Response Time:	15 msec ON / 25 msec OFF
Protection:	IP65
Other Specification Data:	Available on Request

**Port Connection**

1 - Input, 2 - Output, 3 - Exhaust, 8 - Pilot In

Model No.	Diagram No.	Symbol
CSA2BN40CW130V0	1.1	
CVA2BN40CW130V0	1.2	

**3/2 High Pressure Blow Solenoid Poppet Valve**

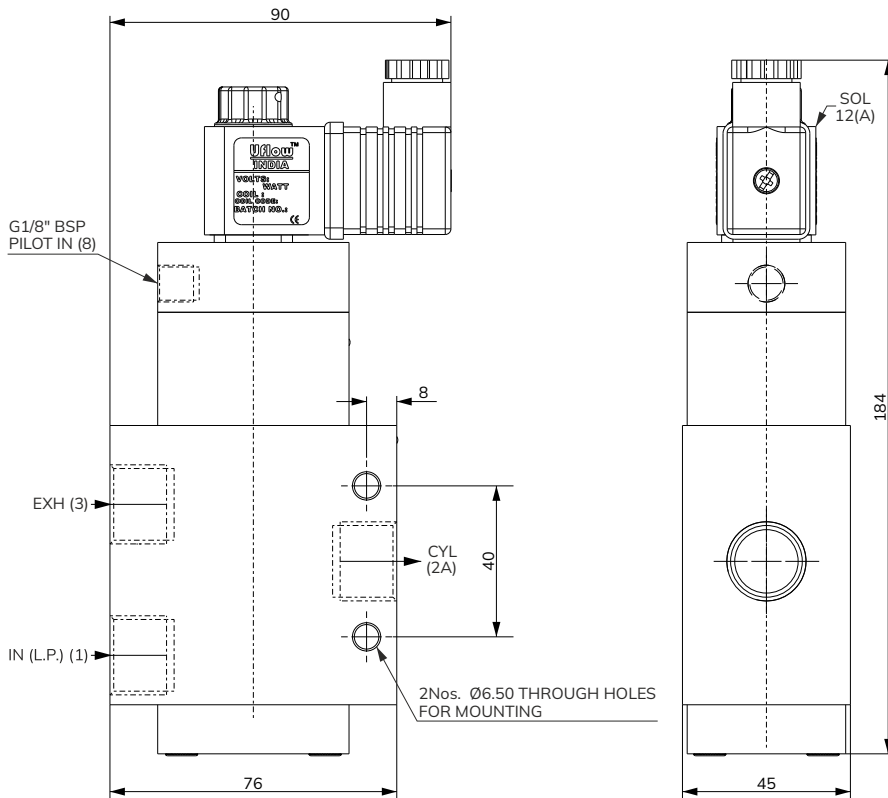


Diagram No. : 1.1



3/2 Dual Pressure Blow Solenoid Poppet Valve

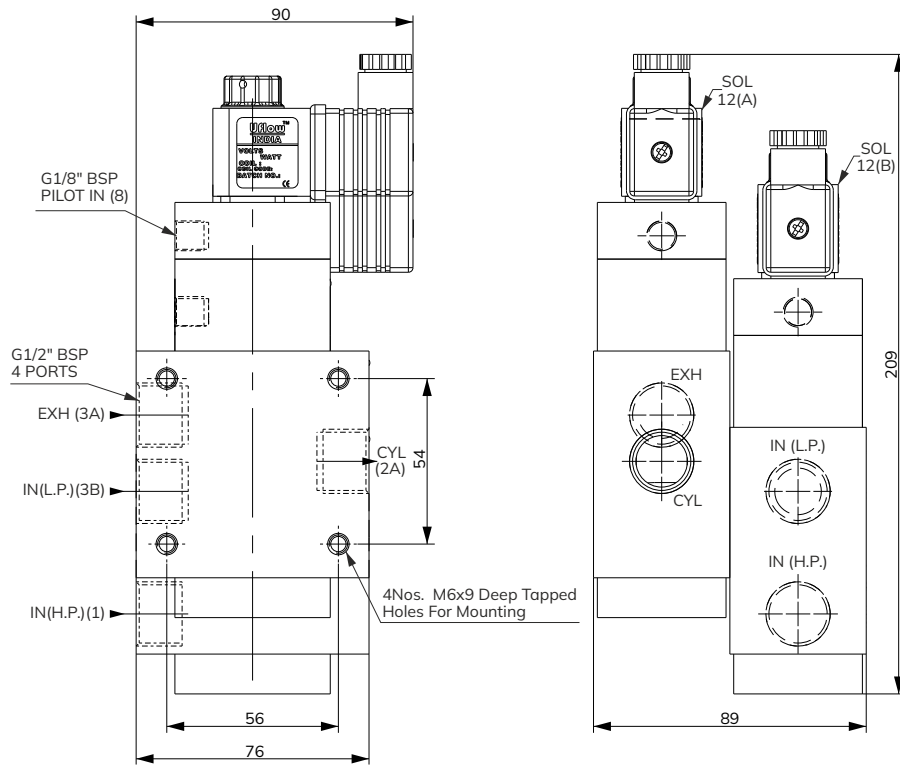


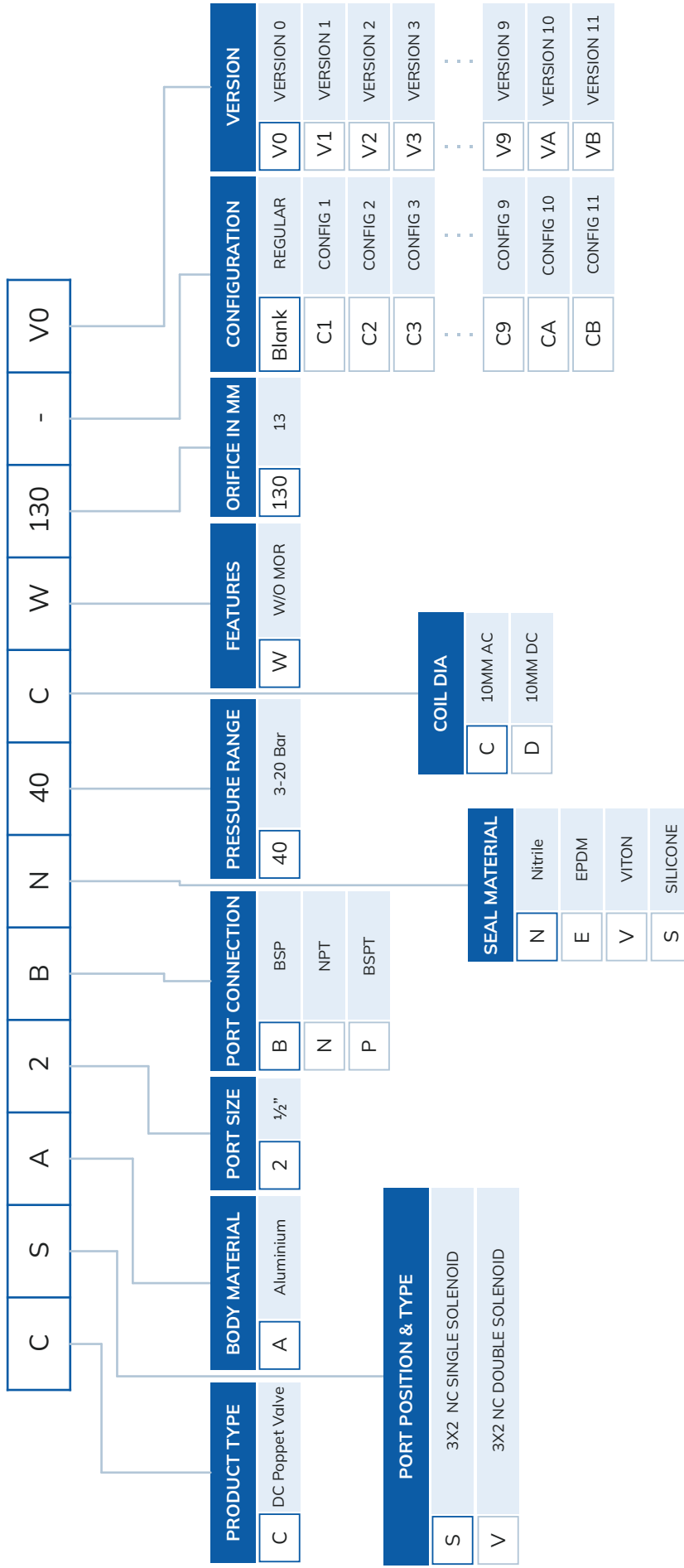
Diagram No. : 1.2



Sequence Of Operation

- SOL 12A 'ON' : Low Pressure (3B) is connected to outlet (Cyl 2A) (Low Pressure pre-blow)
- SOL 12A + SOL 12B 'ON' : High Pressure is connected to outlet (Cyl 2A) (High Pressure blow)
- Both SOL 'OFF' : Outlet (Cyl 2A) connected to Exh (3A) (Exhausting)

# DC SOLENOID POPPET TYPE VALVE MODEL IDENTIFICATION CHART



**CSA2BN40CW130V0**  
 1/2" 3X2 NC SINGLE SOLENOID DC POPPET VALVE ALUMINIUM-BSP-NITRILE-3 TO 20 BAR-10MM AC-13MM ORIFICE




# Global Presence...




Made In India



## CONTACT US:

 [sales@uflowvalve.com](mailto:sales@uflowvalve.com)  +91 851 109 8822  [www.uflowvalve.com](http://www.uflowvalve.com)

 Uflow Automation, Ankur Industrial Complex, Survey No: 275/276, Plot No: 31, Nr. Intol Cast Pvt. Ltd. Shapar(Veraval) Dist.: Gujarat (India) - 360 024.