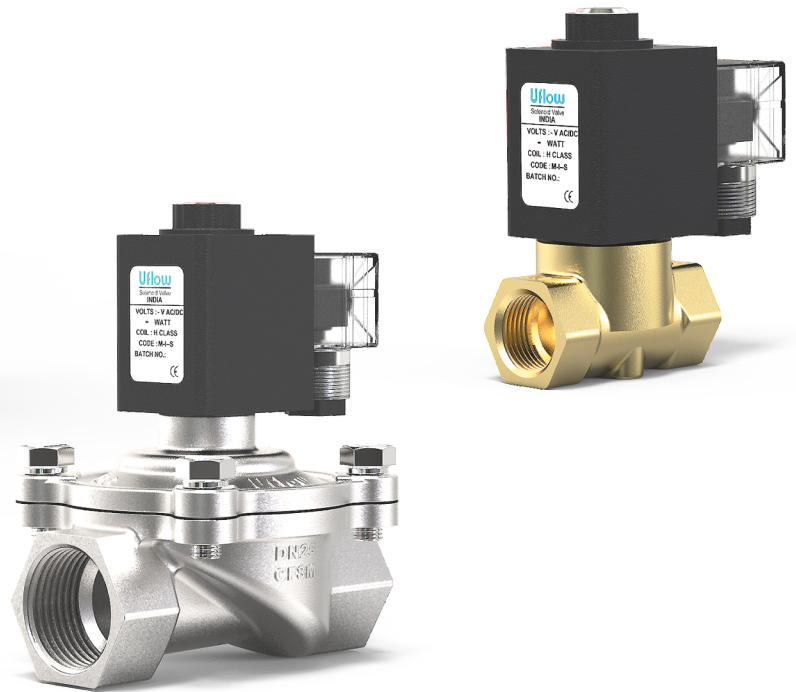


**SEMI LIFT DIAPHRAGM OPERATED
SOLENOID VALVE**
(Normally Close / Open)

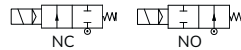
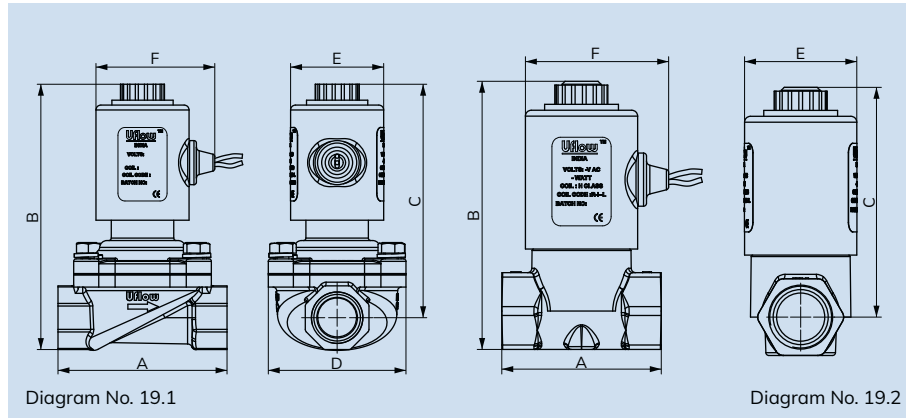
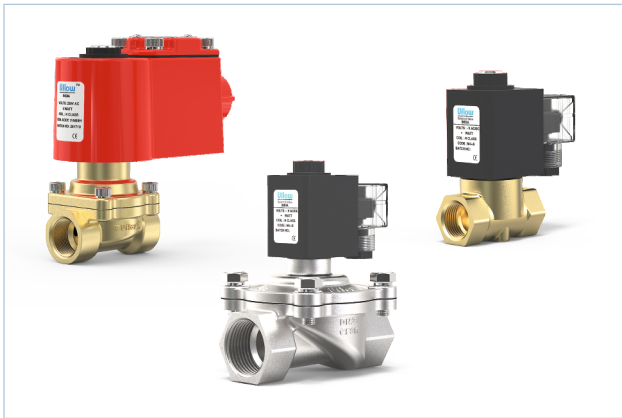
Automation
Simplified...



- Solenoid Valve
- Angle Seat Valve
- Rotary Coupling
- Pneumatic Directional Control Valve
- Actuator
- Cylinder
- One Touch Fitting
- Ball Valve
- Butterfly Valve

Country of Origin - INDIA





Specifications

Port :	Refer below technical data sheet (Available BSP / NPT)				
End Connection :	Screwed / Flange				
Body Material :	SS ASTM A351 Grade CF8 / CF8M, Forged Brass				
Diaphragm :	Nitrile (NBR)	EPDM	Viton (FKM)	PTFE	
Media Temp :	-30°C to 90°C	-10°C to 140°C	-10°C to 180°C	-10°C to 180°C	
Circumstance Temp :	-10°C to 70°C				
Media :	Air, Water, Chemical, Gas, Oil, Steam, LPG.				
Main Features :	Internal Parts are in superior corrosion resistance steel, (Equivalent to SS316L) Suitable for Food Industries, Pharmaceuticals, Chemical application & Highly corrosive environment.				
Operating Voltage :	24AC	110AC	230AC	12DC	24DC
Power Consumption :	9W	9W	9W	10W	11W
Coil Features :	High Reliability Unaffected by Voltage Surges. Easy coil changes coil lockable in 4X90 position or freely movable in between as require.				
Coil Housing :	Epoxy square coil, Metallic round enclosure, IP-67 Flameproof enclosure, IP-68 Weatherproof enclosure.				
Optional Feature :	90% Power saver series also available, Water hammering reducer also available to avoid water hammer forces. Special high flow rate series available on request at low pressure or gravity pressure application.				

Note : Use of filter in the inlet port is recommended., Preferably Over Horizontal Pipeline with the coil upright.
Caution : AC coil should not be used on a DC coil valve.

Technical Data

Model No.	Body Material	Pipe (Inch)	Orifice (mm)	Min. Operating Pressure Kg/cm ²	Max. Operating Pressure Kg/cm ²	Seal & Diaphragm Material	Flow Factor Kv m ³ / hr
MBN703BNEV0	BRASS	3/8"	15.5	0	7	NBR / EPDM / VITON	2.5
MBN704BNEV0	BRASS	3/8"	12	0	10	NBR / EPDM / VITON	2.5
MBN203BNEV0	BRASS	1/2"	15.5	0	7	NBR / EPDM / VITON	3.1
MBN204BNEV0	BRASS	1/2"	12	0	10	NBR / EPDM / VITON	2.3
MCN204BNEV0	CF8 / CF8M	1/2"	15	0	10	NBR / EPDM / VITON / PTFE	2.5
MCN203BNEV0	CF8 / CF8M	1/2"	17	0	7	NBR / EPDM / VITON	3.2
MCN303BNEV0	CF8 / CF8M	3/4"	20	0	7	NBR / EPDM / VITON	5
MCN304BNEV0	CF8 / CF8M	3/4"	18	0	10	NBR / EPDM / VITON	2.1
MCN403BNEV0	CF8 / CF8M	1"	25.5	0	7	NBR / EPDM / VITON / PTFE	8.2
MCN613BNIV0	CF8 / CF8M	1 1/2"	38	0	4	NBR / EPDM / VITON	18.2
MCN813BNIV0	CF8 / CF8M	2"	46.5	0	4	NBR / EPDM / VITON	31.4

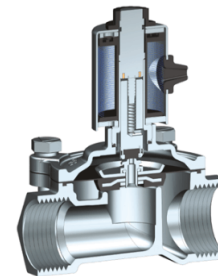
Dimension - NC (All dimensions in mm)

All Dimensions are approx.

Model No.	Port Size	Diagram No.	A	B	C	D	E	F
MBN703BNEV0	3/8"	19.1	57	107	93	46	38	49
MBN203BNEV0	1/2"	19.1	57	107	93	46	38	49
MBN204BNEV0	1/2"	19.2	54	94	80	-	38	49
MCN203BNEV0	1/2"	19.1	69	109	95	56	38	49
MCN303BNEV0	3/4"	19.1	76	114	98	62	38	49
MCN304BNEV0	3/4"	19.2	65	101	85	-	38	49
MCN403BNEV0	1"	19.1	100	122	102	75	38	49
MCN613BNIV0	1 1/2"	19.1	108	151	124	89	50	62
MCN813BNIV0	2"	19.1	130	170	130	107	50	62

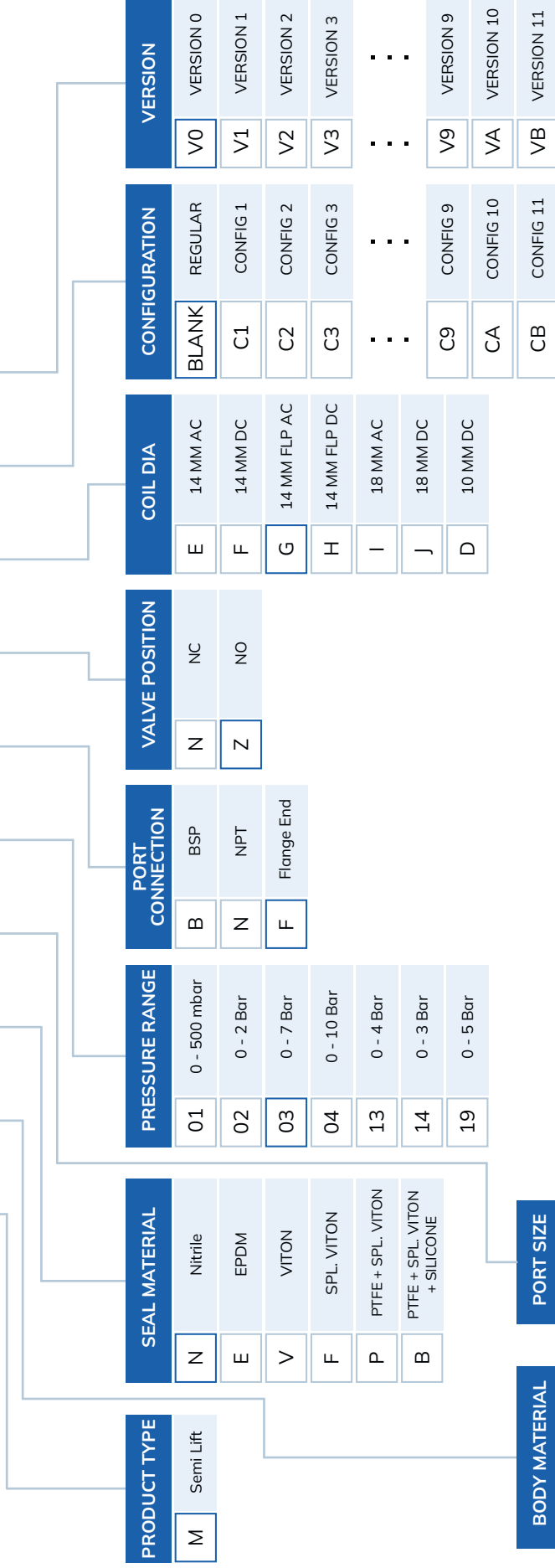
In normally open valve dimension B&C will increase up to 8mm.

Section View



SEMI LIFT DIAPHRAGM OPERATED SOLENOID VALVE MODEL IDENTIFICATION CHART

M C N 4 03 F Z G - V0



BODY MATERIAL	PORT SIZE
C	2
M	3
B	4
3	6
A	7
	8

MCF403FZGVO
 1" SEMI LIFT DIAPHRAGM OPERATED CF8-SPL VITON-0 TO 7kg-FLANGE END-NO-14 MM FLP AC

Global Presence...



Made In India



CONTACT US:

✉ sales@uflowvalve.com ☎ +91 89059 07070 📞 +91-2827-254343 🌐 www.uflowvalve.com

📍 Uflow Automation, Ankur Industrial Complex, Survey No: 275/276, Plot No: 31, Nr. Intol Cast Pvt. Ltd. Shapar(Veraval) Dist.: Gujarat (India) - 360 024.