

**PILOT OPERATED DIAPHRAGM TYPE
SOLENOID VALVE**
(Normally Close)

Automation
Simplified...



Solenoid Valve

Angle Seat Valve

Rotary Coupling

Pneumatic Directional Control Valve

Actuator

Cylinder

One Touch Fitting

Ball Valve

Butterfly Valve

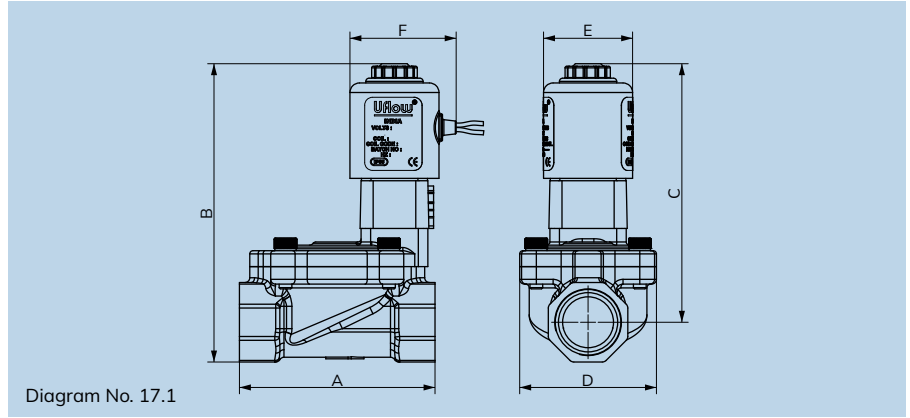
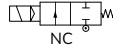


Diagram No. 17.1



Specifications

Port :	Refer below technical data sheet (Available BSP / NPT)				
End Connection :	Screwed / Flange				
Body Material :	SS ASTM A351 Grade CF8 / CF8M, Forged Brass				
Diaphragm :	Nitrile (NBR)	EPDM	Viton (FKM)		
Media Temp :	-30°C to 90°C	-10°C to 140°C	-10°C to 180°C		
Circumstance Temp :	-10°C to 70°C				
Media :	Air, Water, Chemical, Gas, Oil, Diesel, Kerosene, LPG.				
Main Features :	Internal Parts are in superior corrosion resistance steel, (Equivalent to SS316L) Suitable for Food Industries, Pharmaceuticals, Chemical application & Highly corrosive environment.				
Operating Voltage :	24AC	110AC	230AC	12DC	24DC
Power Consumption :	9W / 6W	9W / 6W	9W / 6W	10W / 6W	11W / 6W
Coil Features :	High Reliability Unaffected by Voltage Surges. Easy coil changes coil lockable in 4X90 position or freely movable in between as require.				
Coil Housing :	Epoxy square coil, Metallic round enclosure, IP-68 Weatherproof enclosure.				
Optional Feature :	90% Power saver series also available, Manual Override, Water hammering reducer also available to avoid water hammer forces.				
Other Specification Data :	Available on Request.				

NOTE: Use of filter in the inlet port is recommended.

Technical Data

Model No.	Body Material	Pipe (Inch)	Orifice (mm)	Min. Operating Pressure Kg/cm ²	Max. Operating Pressure Kg/cm ²	Seal & Diaphragm Material	Flow Factor Kv m ³ / hr
PBN206BNCMV0	BRASS	½"	12	0.5	10	NBR / EPDM / VITON	2.1
PBN306BNCMV0	BRASS	¾"	20	0.5	10	NBR / EPDM / VITON	5.5
PBN406BNCMV0	BRASS	1"	25	0.5	10	NBR / EPDM / VITON	9
PBN606BNCMV0	BRASS	1½"	36	0.5	10	NBR / EPDM / VITON	17.1
PBN806BNEWV0	BRASS	2"	50	0.5	10	NBR / EPDM / VITON	29.9

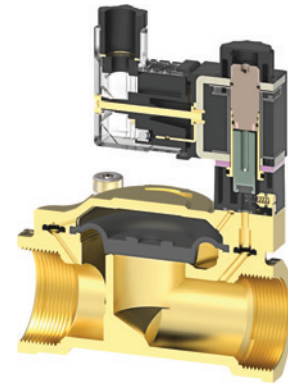
Dimension - NC (All dimensions in mm)

All Dimensions are approx.

Model No.	Port Size	Diagram No.	A	B	C	D	E	F
PBN206BNCMV0	½"	17.1	62	94	81	43	28	33
PBN306BNCMV0	¾"	17.1	77	101	85	52	28	33
PBN406BNCMV0	1"	17.1	92	109	89	63	28	33
PBN606BNCMV0	1½"	17.1	120	123	95	81	28	33
PBN806BNEWV0	2"	17.1	145	153	120	106	38	48

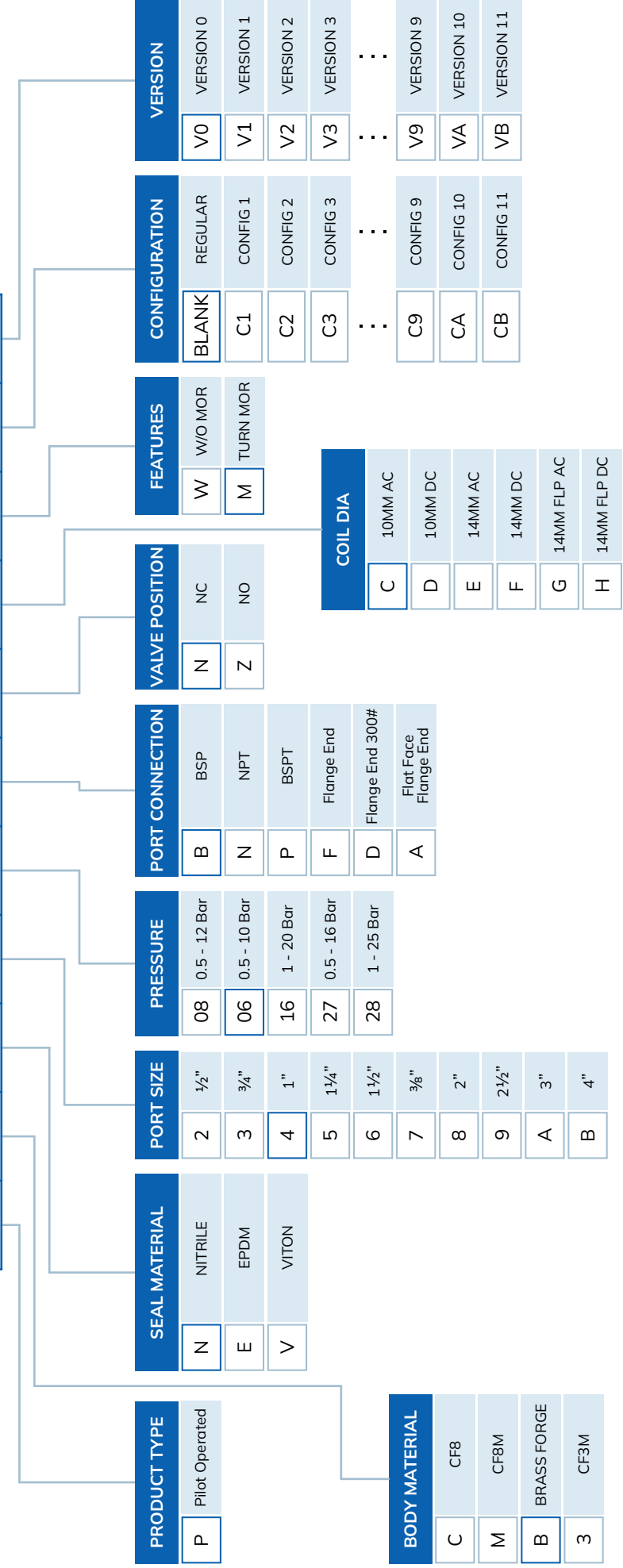
In normally open valve dimension B&C will increase up to 8mm.

Section View



PILOT OPERATED DIAPHRAGM TYPE SOLENOID VALVE MODEL IDENTIFICATION CHART

P B N 4 06 B N C M - V0



PBN406BNCMV0

1" PILOT OPERATED DIAPHRAGM- BRASS FORGE- NITRILE - 1.5 TO 12 BAR-BSP-NC-14MM AC- W/O MOR



Global Presence...



Made In India



CONTACT US:

✉ sales@uflowvalve.com ☎ +91 89059 07070 📞 +91-2827-254343 🌐 www.uflowvalve.com

📍 Uflow Automation, Ankur Industrial Complex, Sur vey No: 275/276, Plot No: 31, Nr. Intol Cast Pvt. Ltd. Shapar(Veraval) Dist.: Gujarat (India) - 360 024.