

2 WAY DIRECT ACTING MEDIA SEPRATED SOLENOID VALVE

Automation
Simplified...



Solenoid Valve

Angle Seat Valve

Rotary Coupling

Pneumatic Directional Control Valve

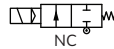
Actuator

Cylinder

One Touch Fitting

Ball Valve

Butterfly Valve



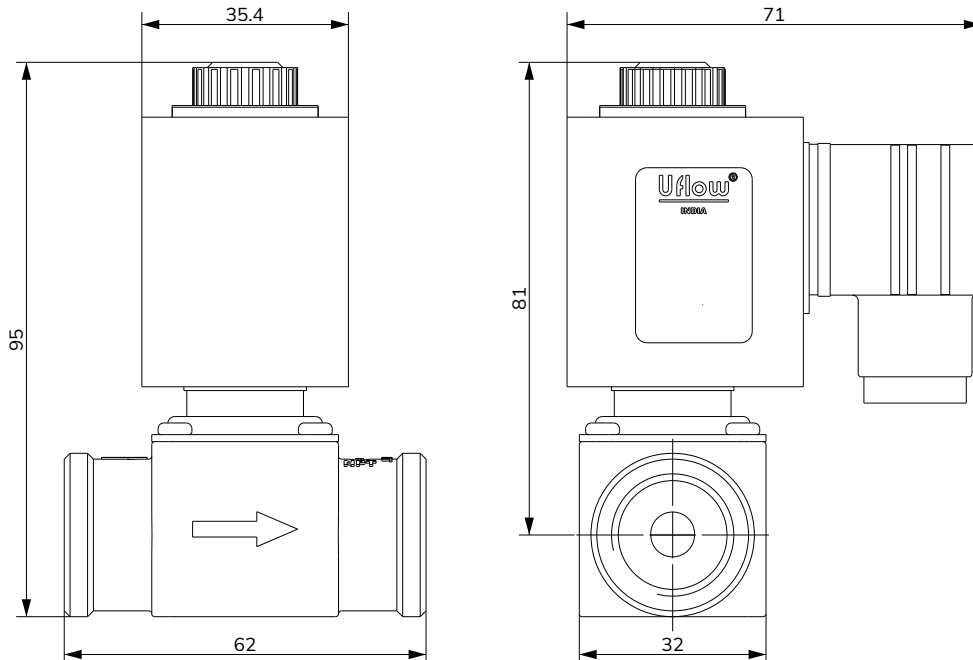
Specifications

Port :	½" - BSP Thread	Operating Voltage :	12V DC	24V DC	24V AC	230V AC
End Connection :	Screwed	Power Consumption :	10W	11W	10W	10W
Body Material :	Nylon GF	Coil Features :	High Reliability Unaffected by Voltage Surges. Easy coil changes coil lockable in 4X90 position or freely movable in between as require.			
Diaphragm :	FPM	Coil Housing :	IP65 Epoxy square coil, IP65 Metallic round enclosure.			
Media Temp :	5°C to 50°C	Other Specification Data :	Available on Request – Available for vacuum application upto 450mm Hg			
Circumstance Temp :	-10°C to 70°C					
Media :	Water, Liquid Media, Gaseous Media					
Main Features :	Internal Parts are in superior corrosion resistance steel. and Without Mor					

NOTE: Use of filter in the inlet port is recommended. Specification may change without prior notice.

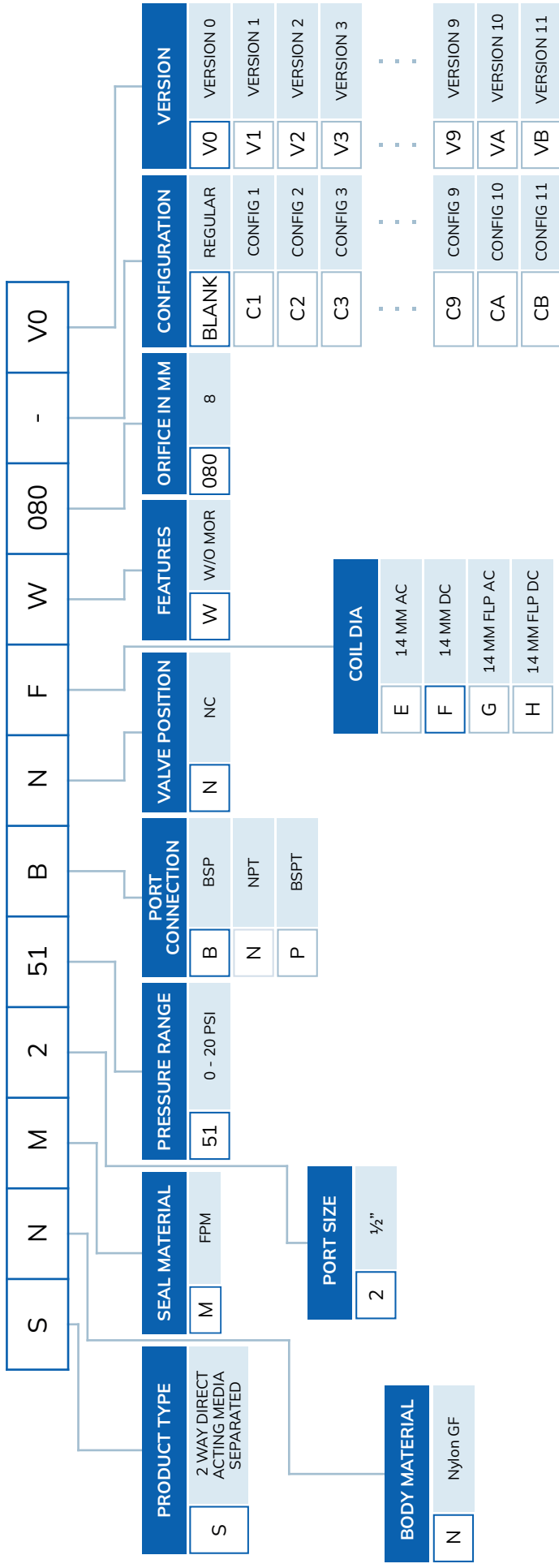
Technical Data

Valve Model No.	Body Material	Pipe (Inch)	Orifice (mm)	Min. Operating Pressure PSI	Max. Operating Pressure PSI	Seal & Diaphragm Material	Flow Factor Kv m ³ / hr
SNM251BNFW080V0	Nylon GF	½"	8	0	20	FPM	1



* All dimensions are approx

DIRECT ACTING MEDIA SEPRETED VALVE MODEL IDENTIFICATION CHART



SNM251BNFW080V0

1/2" 2 WAY DIRECT ACTING MEDIA SEPARATED Nylon GF-FPM-0 TO 20 PSI-BSP-NC-14MM DC-8MM ORIFICE

Note: The above chart is for identification purposes only, and it may not be possible to make all combinations for the above chart.

Global Presence...



Made In India



CONTACT US:

✉ sales@uflowvalve.com ☎ +91 851 109 8822 🌐 www.uflowvalve.com

📍 Uflow Automation, Ankur Industrial Complex, Survey No: 275/276, Plot No: 31, Nr. Intol Cast Pvt. Ltd. Shapar(Veraval) Dist.: Gujarat (India) - 360 024.