

PINCH TYPE SOLENOID VALVE
(NORMALLY CLOSE / OPEN)

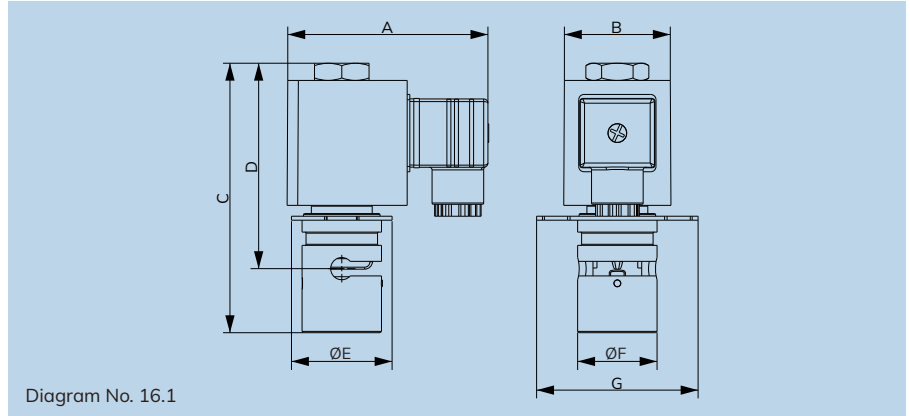
Automation
 Simplified...



- Solenoid Valve
Angle Seat Valve
Rotary Coupling
- Pneumatic Directional Control Valve
Actuator
- Cylinder
One Touch Fitting
Ball Valve
- Butterfly Valve

Country of Origin - INDIA





Specifications

Body :	Aluminum		
Internal Parts :	Stainless Steel		
Sealing :	Polyamide		
Seats, Core Tube, Springs	Stainless Steel		
Operating Voltage :	12V DC	24V DC	230V AC
Power Consumption :	20W	20W	20W
Application :	Water, Food, Gas, Medicine, Hospital & Health, Petro Chemistry		
Coil Housing :	Epoxy Square Coil		
Coil Features :	High Reliability Unaffected by Voltage Surges. Easy coil changes coil lockable in 4X90 position or freely movable in between as require.		
Other Specification Data :	Available on Request		

Dimension

All dimensions are approx.

Model No.	Diagram No.	A	B	C	D	ØE	ØF	F
PA08NYV0	16.1	76	40	102	78	38	30	61
PA08ZYV0	16.1	76	40	102	88	38	30	61

Features

- There are different models for different tube diameter and stiffness.
- Solenoid valves are used with the filter.
- Bobbin up in a vertical position should be preferred.
- This product in the differential pressure is 0 bar.
- The metal is used in particular to fluid communication undesirable.
- Usage Areas : Dialysis Machines, Pharmaceutical Industry, Medical Laboratories, Food Industry, Bioreactors, Blood Transf Unit, Tissu Transplantation Units,
- Stiffness of Hose: Max. 55 Shore A

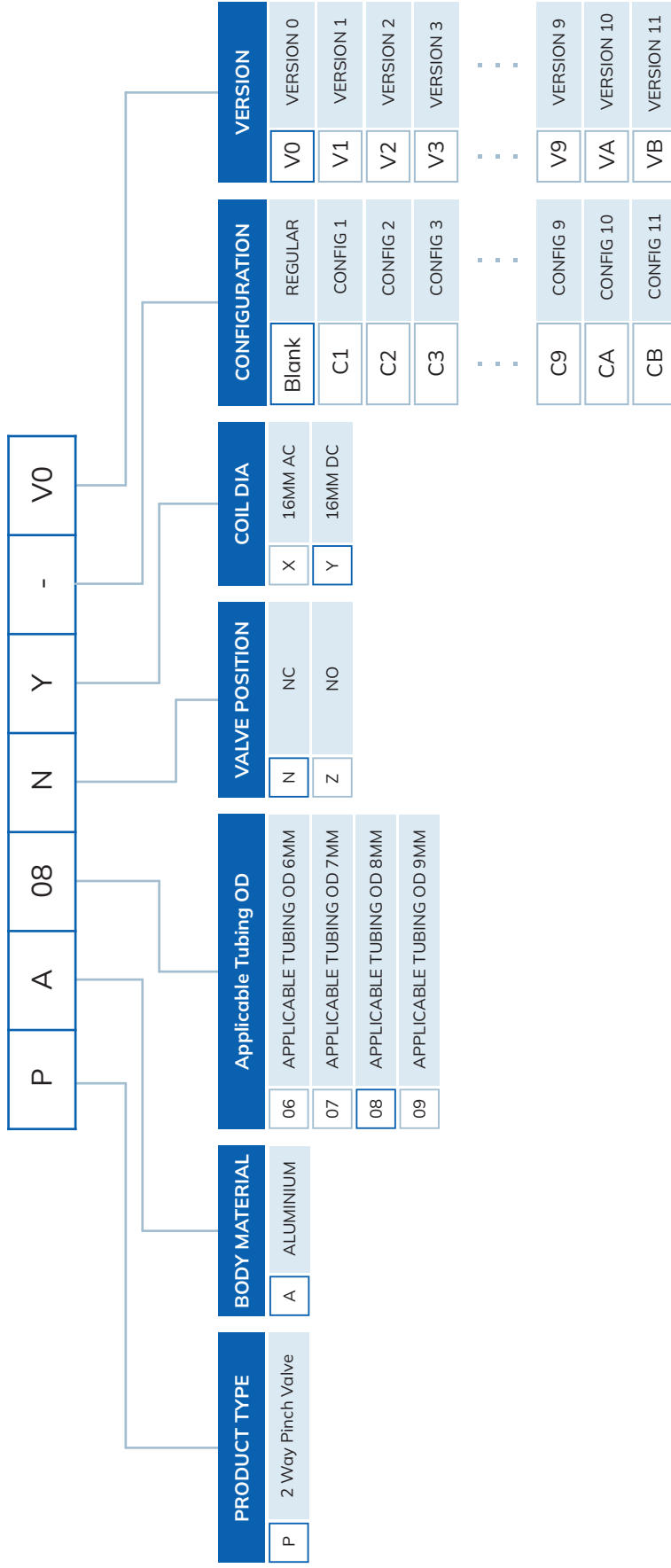
Advantages

- Low Pressure Loss: Pinch valves at are very few pressure loss. This low pressure system reason it is preferred to perform the flow without causing further loss pressure.
- Use Amenities Containing Particulate in Fluids: Pinch valves use in streams containing small particles is an advantage. small parts such as sand can lead to clogging or orifice solenoid coil blubbering normal valves. The use of pinch valves is an advantage in such cases.
- Ease of change: In case of any malfunction in a very easy way pinch valves even the is possible to provide changes without the need stopping the flow.
- Being the Just Fow in Contact With Hosepipe: Is no material or seal outside Hose in pinch valves to be in contact with the fluid. This feature is of great importance for chemicals that are react with a hygienic risks flow or

Technical Data

Symbol	Model No.	Tubings		Min. Tubings Wall Thickness	Max. Operating Pressure Kg/cm ²
		Inside Diameter	Outside Diameter		
 NC	PA09NYV0	6	9	1.5	0.5
	PA09ZYV0	6	9	1.5	0.5
	PA08NYV0	5	8	1.5	0.5
	PA08ZYV0	5	8	1.5	0.5
 NO	PA07NYV0	4	7	1.5	0.5
	PA07ZYV0	4	7	1.5	0.5
	PA06NYV0	3	6	1.5	0.5
	PA06ZYV0	3	6	1.5	0.5

PINCH TYPE SOLENOID VALVE MODEL IDENTIFICATION CHART



PA08NYV0
2 WAY PINCH VALVE APPLICABLE TUBING OD 8MM Aluminium-NC-16MM DC

Global Presence...



Made In India



CONTACT US:

✉ sales@uflowvalve.com ☎ +91 851 109 8822 🌐 www.uflowvalve.com

📍 Uflow Automation, Ankur Industrial Complex, Survey No: 275/276, Plot No: 31, Nr. Intol Cast Pvt. Ltd. Shapar(Veraval) Dist.: Gujarat (India) - 360 024.