

**SEMI LIFT DIAPHRAGM OPERATED
PLASTIC SOLENOID VALVE**

Automation
Simplified...



Solenoid Valve

Angle Seat Valve

Rotary Coupling

Pneumatic Directional Control Valve

Actuator

Cylinder

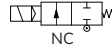
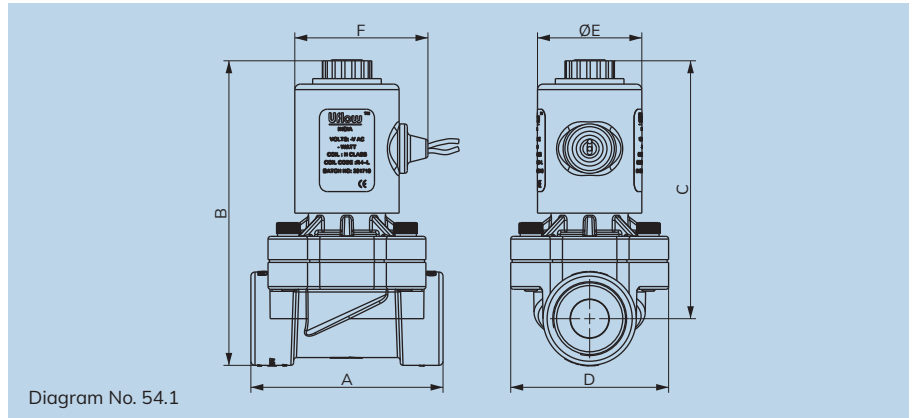
One Touch Fitting

Ball Valve

Butterfly Valve

Country of Origin - INDIA





Specifications

Port :	½", ¾" & 1" (Available in BSP / BSPT / NPT)			
End Connection :	Screwed			
Body Material :	Nylon Glass Filled			
Diaphragm :	Nitrile (NBR)			
Media Temp. :	5°C to 50°C			
Circumstance Temp. :	-10°C to 50°C			
Media :	Water, Air, Inert Gas			
Main Features :	Internal Parts are in superior corrosion resistance steel, (Equivalent to SS316L) Suitable for Food Industries, Pharmaceuticals, Chemical application & Highly corrosive environment.			
Operating Voltage :	110AC	230AC	12DC	24DC
Power Consumption :	11W	10W	10W	11W
Coil Features :	High Reliability Unaffected by Voltage Surges. Easy coil changes coil lockable in 4X90 position or freely movable in between as require.			
Coil Housing :	IP65 Epoxy square coil, IP65 Metallic round enclosure, IP68 Weatherproof enclosure.			
Other Specification Data :	Available on Request			

NOTE: Use of filter in the inlet port is recommended.

Technical Data

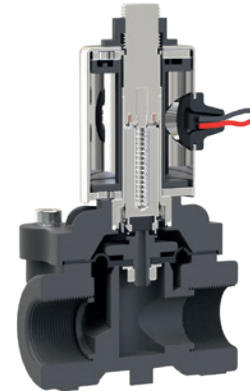
Model No.	Body Material	Pipe (Inch)	Orifice (mm)	Min. Operating Pressure mbar	Max. Operating Pressure bar	Seal & Diaphragm Material	Flow Factor Kv m ³ / hr
MNN203BNEV0	Nylon GF	½"	16	0	7	NBR	2.1
MNN303BNEV0	Nylon GF	¾"	16	0	7	NBR	3
MNN413BNEV0	Nylon GF	1"	26	0	4	NBR	8.2

Dimension (All dimensions are in mm)

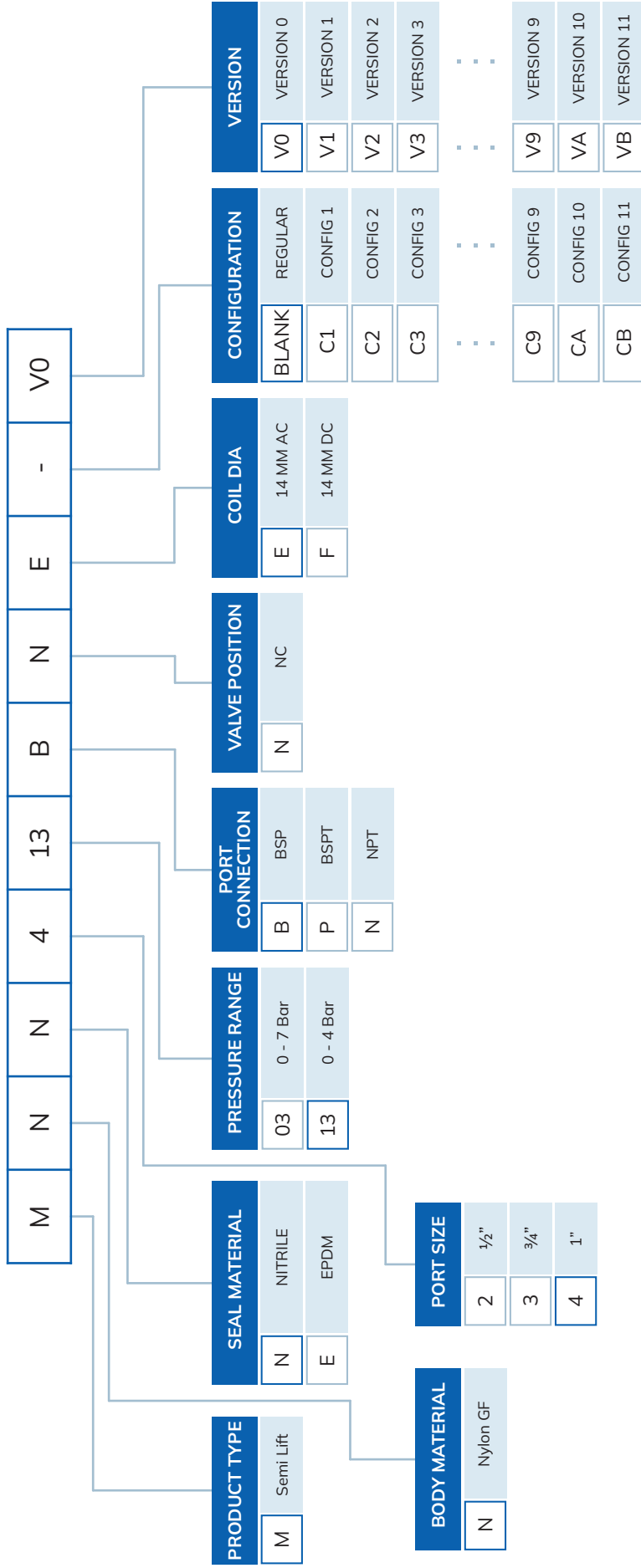
All Dimensions are approx.

Model No.	Port Size	Diagram No.	A	B	C	D	E	E1
MNN203BNEV0	½"	54.1	70	110	94	58	44	57
MNN303BNEV0	¾"	54.1	70	110	94	58	44	57
MNN413BNEV0	1"	54.1	107	122	101	77	44	57

Section View



SEMI LIFT DIAPHRAGM OPERATED PLASTIC SOLENOID VALVE MODEL IDENTIFICATION CHART



MNN413BNEVO

1" SEMI LIFT DIAPHRAGM OPERATED NYLON GF-NITRILE-0 TO 4 Bar-BSP-NC-14MM AC

Global Presence...



Made In India



CONTACT US:

✉ sales@uflowvalve.com ☎ +91 851 109 8822 🌐 www.uflowvalve.com

📍 Uflow Automation, Ankur Industrial Complex, Sur vey No: 275/276, Plot No: 31, Nr. Intol Cast Pvt. Ltd. Shapar(Veraval) Dist.: Gujarat (India) - 360 024.