

Automation  
Simplified...



Solenoid Valve

Angle Seat Valve

Rotary Coupling

Pneumatic Directional Control Valve

Actuator

Cylinder

One Touch Fitting

Ball Valve

Butterfly Valve

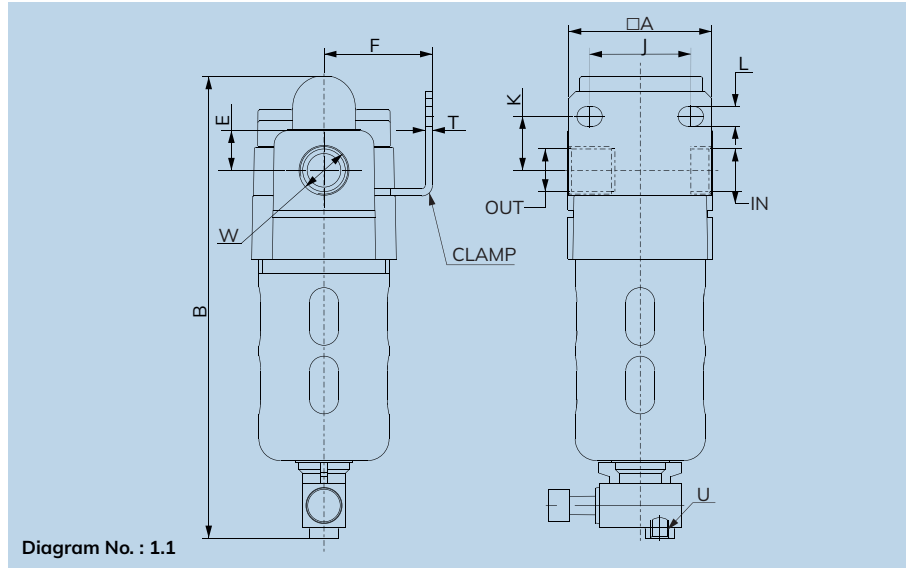


Diagram No. : 1.1

Specifications

Model No.:	F1A106BV0	F1A706BV0	F1A206BV0	F1A306BV0	F1A406BV0
Media :	Compressed air				
Port Size:	G¼	G¾	G½	G¾	G1
Flow Rate LPM *:	800	2250	3500	5000	6500
Maximum Supply Pressure:	10 Bar				
Ambient Temperature:	Manual Drain: -10°C to +50°C, Semi Auto Drain: +5°C to +50°C				
Media Temperature:	+5°C to +50°C				
Filtration (µm)	1, 5, 25, 40 (Standard), 50, 100				
Bowl Capacity (ml): (at maximum oil level)	9	32	44	165	165
Bowl Material:	Polycarbonate				
Installation:	Vertical (as in the picture)				
Materials of construction:	Aluminium, Bronze, Steel, Acetal, Polycarbonate, SS, Nitrile				
Optional accessories:	Clamp, Modular mounting kit				

\*Supply Pressure 6 bar, pressure drop Δp = 0.5bar (For Standard Models)

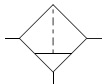
Features

- Conforms to ISO 5782 -1
- Suitable for modular mounting
- Press type Manual drain for easy operation
- Bronze filtering element
- Separator and shield for efficient moisture separation

Precautions

- Note the direction of flow before installation and connect piping accordingly.
- Flush pipings for dirt, dust, rust and other foreign particles.
- Install in clean atmosphere.
- Nipples of taper threads to be used with teflon tape. Ensure teflon tape does not enter the unit during tightening.
- Nipples of straight threads to be used with sealing washer.
- Polycarbonate bowls may get damaged and possibly fail if exposed to synthetic oils, thinner, solvents, trichloroethylene, kerosene or other aromatic hydrocarbons.

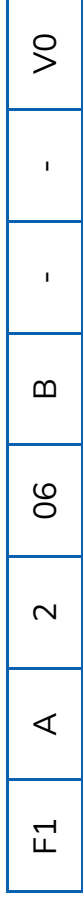
Symbol



Technical Data

Model No.	Diagram No.	W	A	B	E	F	J	K	L	T	U
F1A106BV0	1.1	¼"	40	128	11	30	28	15	5.5	2	M5
F1A706BV0	1.1	¾"	55	140	14	40	40	25	6.5	2	M5
F1A206BV0	1.1	½"	70	170	18	50	55	25	8.5	2	M5
F1A306BV0	1.1	¾"	90	260	24	70	66	35	11	5	M5
F1A406BV0	1.1	1"	90	260	24	70	66	35	11	5	M5

# AIR PREPARATION UNITS VALVE MODEL IDENTIFICATION CHART



PRODUCT TYPE	BODY MATERIAL	PORT SIZE	PRESSURE RANGE	Port Connection	FEATURES	CONFIGURATION	VERSION
F1	A	1	06	B	REGULAR	-	V0
FR		7		N	Regulator With NRV	C1	V1
L1		2			Internal Autodrain	C2	V2
R1		3			With Metal bowl	C3	V3
S1		4			With Modular	⋮	⋮
					Without Piping Adaptor	C9	V9
					With Pressure Gauge	CA	VA
					With Service Indicator	CB	VB
							VERSION 10
							VERSION 11

**F1A206BV0**  
1/2" FILTER ALUMINIUM-0.5 TO 10 Bar-BSP

Note: The above chart is for identification purposes only, and it may not be possible to make all combinations for the above chart.

# Global Presence...



Made In India



## CONTACT US:

✉ [sales@uflowvalve.com](mailto:sales@uflowvalve.com) ☎ +91 851 109 8822 🌐 [www.uflowvalve.com](http://www.uflowvalve.com)

📍 Uflow Automation, Ankur Industrial Complex, Survey No: 275/276, Plot No: 31, Nr. Intol Cast Pvt. Ltd. Shapar(Veraval) Dist.: Gujarat (India) - 360 024.