

Automation  
Simplified...



Solenoid Valve

Angle Seat Valve

Rotary Coupling

Pneumatic Directional Control Valve

Actuator

Cylinder

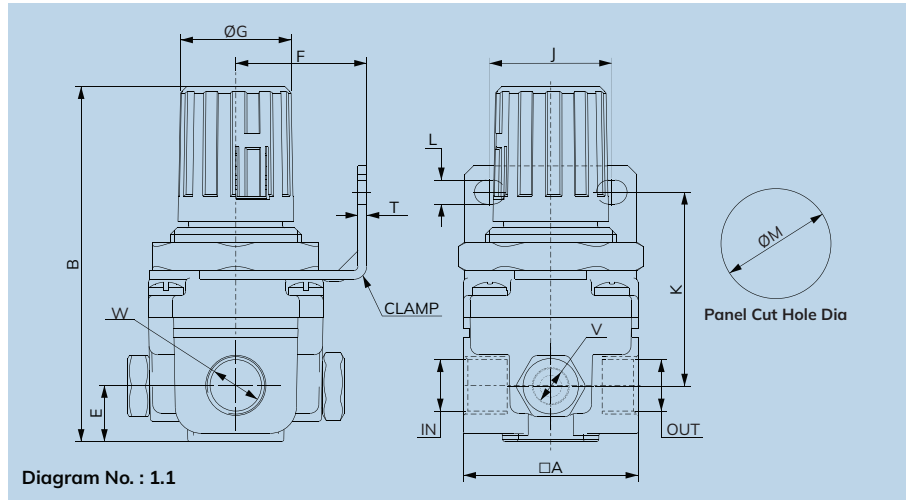
One Touch Fitting

Ball Valve

Butterfly Valve

Country of Origin - INDIA





**Specifications**

|                            |  |           |           |           |           |
|----------------------------|--|-----------|-----------|-----------|-----------|
| Model No.:                 | R1A106BV0                                    | R1A706BV0 | R1A206BV0 | R1A306BV0 | R1A406BV0 |
| Media :                    | Compressed air - Filtered                    |           |           |           |           |
| Port Size:                 | G¼   | G¾        | G½        | G¾        | G1        |
| Pressure Gauge Port Size:  | G¾   | G½        | G¾        | G¼        | G¼        |
| Flow Rate LPM*:            | 600  | 2500      | 4000      | 5000      | 6000      |
| Maximum Supply Pressure:   | 15 Bar                                       |           |           |           |           |
| Regulating Pressure Range: | 0.2- 2, 0.2 -4, 0.5-7, 0.5-10 (Standard)     |           |           |           |           |
| Media Temperature:         | +5°C to +50°C                                |           |           |           |           |
| Ambient Temperature:       | -10°C to +60°C                               |           |           |           |           |
| Installation:              | Any Position                                 |           |           |           |           |
| Materials of construction: | Aluminium, Brass, Steel, Acetal, SS, Nitrile |           |           |           |           |
| Optional accessories:      | Clamp, Modular mounting kit, Pressure Gauge  |           |           |           |           |

\*Supply Pressure 7 bar, pressure drop Δp = 0.5bar (For Standard Models)

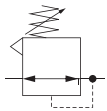
**Features**

- Conforms to ISO 6953 - 1
- Suitable for panel and modular mountings
- Nonraising 'Push To Lock' Adjusting Knob For Locking At Any Set Pressure
- Diaphragm operated, relieving type
- Pressure Compensated By Balanced Poppet
- Good Flow And Regulating Characteristics

**Precautions**

- Note the direction of flow before installation and connect piping accordingly.
- Flush pipings for dirt, dust, rust and other foreign particles.
- Install in clean atmosphere.
- Nipples of taper threads to be used with teflon tape. Ensure teflon tape does not enter the unit during tightening. Nipples of straight threads to be used with sealing washer.

**Symbol**



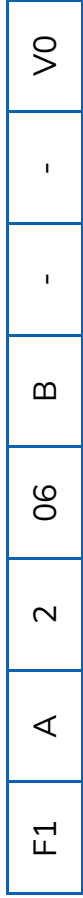
**Pressure Setting**

Pull the knob and adjust by turning the knob clockwise to increase the pressure. Push the knob back to its locked position. (Turning the knob counter clockwise will reduce the pressure)

**Technical Data**

| Model No. | Diagram No. | W  | V  | A  | B   | E  | F  | ØG | J  | K  | L   | T | ØM   |
|-----------|-------------|----|----|----|-----|----|----|----|----|----|-----|---|------|
| R1A106BV0 | 1.1         | ¼" | ⅝" | 40 | 81  | 13 | 30 | 25 | 28 | 45 | 5.5 | 2 | 30.5 |
| R1A706BV0 | 1.1         | ⅜" | ⅝" | 55 | 135 | 40 | 40 | 40 | 40 | 53 | 6.5 | 2 | 43   |
| R1A206BV0 | 1.1         | ½" | ⅝" | 70 | 164 | 40 | 50 | 47 | 55 | 62 | 8.5 | 2 | 53   |
| R1A306BV0 | 1.1         | ¾" | ¾" | 90 | 177 | 48 | 70 | 51 | 66 | 65 | 11  | 5 | 53   |
| R1A406BV0 | 1.1         | 1" | ¾" | 90 | 177 | 48 | 70 | 51 | 66 | 65 | 11  | 5 | 53   |

# AIR PREPARATION UNITS VALVE MODEL IDENTIFICATION CHART



| PRODUCT TYPE                       | BODY MATERIAL  | PORT SIZE | PRESSURE RANGE     | Port Connection | FEATURES                    | CONFIGURATION   | VERSION          |
|------------------------------------|----------------|-----------|--------------------|-----------------|-----------------------------|-----------------|------------------|
| F1<br>FILTER                       | A<br>Aluminium | 1<br>1/4" | 06<br>0.5 - 10 Bar | B<br>BSP        | -<br>REGULAR                | -<br>REGULAR    | V0<br>VERSION 0  |
| FR<br>FILTER REGULATOR COMBINATION |                | 7<br>3/8" |                    | N<br>NPT        | N<br>Regulator With NRV     | C1<br>CONFIG 1  | V1<br>VERSION 1  |
| L1<br>LUBRICATOR                   |                | 2<br>1/2" |                    |                 | A<br>Internal Autodrain     | C2<br>CONFIG 2  | V2<br>VERSION 2  |
| R1<br>REGULATOR                    |                | 3<br>3/4" |                    |                 | B<br>With Metal bowl        | C3<br>CONFIG 3  | V3<br>VERSION 3  |
| S1<br>FILTER MIST SEPARATOR        |                | 4<br>1"   |                    |                 | M<br>With Modular           | ⋮<br>⋮<br>⋮     | ⋮<br>⋮<br>⋮      |
|                                    |                |           |                    |                 | W<br>Without Piping Adaptor | C9<br>CONFIG 9  | V9<br>VERSION 9  |
|                                    |                |           |                    |                 | G<br>With Pressure Gauge    | CA<br>CONFIG 10 | VA<br>VERSION 10 |
|                                    |                |           |                    |                 | I<br>With Service Indicator | CB<br>CONFIG 11 | VB<br>VERSION 11 |

**F1A206BV0**  
1/2" FILTER ALUMINIUM-0.5 TO 10 Bar-BSP



Note: The above chart is for identification purposes only, and it may not be possible to make all combinations for the above chart.

# Global Presence...



Made In India



## CONTACT US:

✉ [sales@uflowvalve.com](mailto:sales@uflowvalve.com)

☎ +91 851 109 8822

🌐 [www.uflowvalve.com](http://www.uflowvalve.com)

📍 Uflow Automation, Ankur Industrial Complex, Sur vey No: 275/276, Plot No: 31, Nr. Intol Cast Pvt. Ltd. Shapar( Veraval) Dist.: Gujarat (India) - 360 024.