

**FILTER REGULATOR COMBINATION  
- PD SERIES**

Automation  
Simplified...



Solenoid Valve

Angle Seat Valve

Rotary Coupling

Pneumatic Directional Control Valve

Actuator

Cylinder

One Touch Fitting

Ball Valve

Butterfly Valve

Country of Origin - INDIA



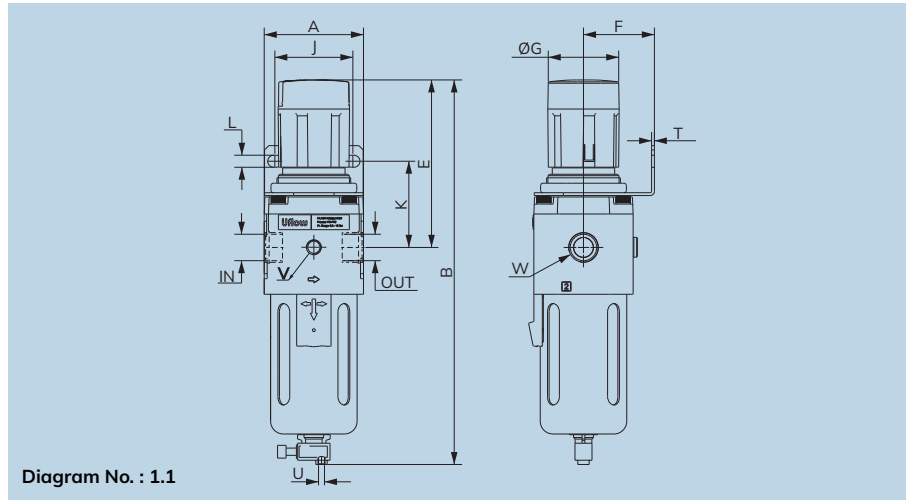


Diagram No. : 1.1

**Specifications**

Model No.:	PD-FR1	PD-FR7	PD-FR2	PD-FR3	PD-FR4
Media :	Compressed Air				
Port Size:	G¼	G¾	G½	G¾	G1
Pressure Gauge Port Size:	G¾	G¾	G¾	G¼	G¼
Flow Rate LPM*:	500	1800	3000	4250	5500
Maximum Supply Pressure:	10 Bar				
Regulating Pressure Range:	0.2- 2, 0.2- 4, 0.5- 7, 0.5- 10 (Standard)				
Medium Temperature:	+5°C to +50°C				
Filteration (µm)	1, 5, 25, 40 (Standard), 50, 100				
Bowl Capacity (ml) (at maximum condensate level)	9	32	44	165	165
Bowl Material	Polycarbonate				
Installation:	Vertical				
Materials of construction:	Aluminium, Brass, Steel, Acetal, SS, Nitrile				
Optional accessories:	Clamp, Modular mounting kit, Pressure Gauge				

\*Supply Pressure 7 bar, pressure drop Δp = 0.5bar (For Standard Models)

**Features**

- Modular type
- Suitable for panel mounting
- Filter
  - Bronze filtering element
  - Separator and shield for efficient moisture separation
- Regulator
  - Diaphragm operated, relieving type
  - Pressure compensated by balanced poppet
  - Non raising 'Press to lock' adjusting knob for locking at any set pressure
- Good flow and regulating characteristics

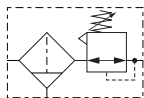
**Precautions**

- Note the direction of flow before installation and connect piping accordingly.
- Flush pipings for dirt, dust, rust and other foreign particles.
- Install in clean atmosphere.
- Nipples of taper threads to be used with teflon tape. Ensure teflon tape does not enter the unit during tightening. Nipples of straight threads to be used with sealing washer.
- Polycarbonate bowls may get damaged and possibly fail if exposed to synthetic oils, thinner, solvents, trichloroethylene kerosene or other aromatic hydrocarbons.

**Pressure Setting**

Pull the knob and adjust by turning the knob clockwise to increase the pressure. Push the knob back to its locked position. (Turning the knob counter clockwise will reduce the pressure)

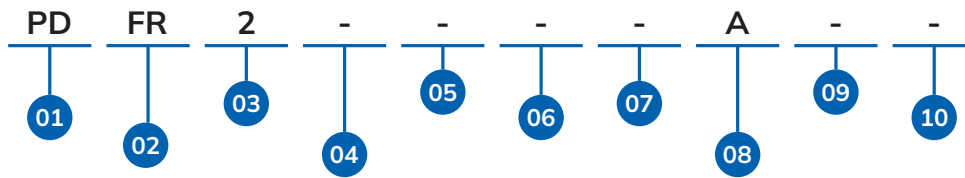
**Symbol**



**Technical Data**

Model No.	Diagram No.	W	V	A	B	E	F	ØG	J	K	L	T	U
PD-FR1	1.1	¼"	⅛"	40	165	64	30	25	28	45	5.5	2	M5
PD-FR7	1.1	⅜"	⅛"	55	220	95	40	40	40	53	6.5	2	M5
PD-FR2	1.1	½"	⅛"	70	287	134	50	47	55	62	8.5	2	M5
PD-FR3	1.1	¾"	¼"	90	370	130	70	51	66	65	11	5	M5
PD-FR4	1.1	1"	¼"	90	370	130	70	51	66	65	11	5	M5

# PD -SERIES AIR FILTER REGULATOR COMBO MODEL CHART



01	SERIES
	PD

02	PRODUCT TYPE
FR	Filter Regulator Combo

03	PORT SIZE
1	1/4"
2	1/2"
3	3/4"
4	1"
7	3/8"

04	PORT CONNECTION
-	BSP
N	NPT

05	PRESSURE RANGE
-	0.5 - 10 Bar
B	0.5 - 20 Bar (Only For Metal Bowl)
C	2 TO 10 BAR (Only For Internal Auto Drain)

06	FILTRATION IN $\mu\text{m}$
-	40 $\mu\text{m}$ ( Standard )
1	1 $\mu\text{m}$ Filtration
2	5 $\mu\text{m}$ Filtration
3	15 $\mu\text{m}$ Filtration
4	25 $\mu\text{m}$ Filtration
5	50 $\mu\text{m}$ Filtration
6	100 $\mu\text{m}$ Filtration
7	0.01 $\mu\text{m}$ (Mist Separator)
8	0.1 $\mu\text{m}$ (Mist Separator)

07	BOWL MATERIAL
-	PC Bowl
M	Metal Bowl
L	Metal Bowl With Level Indicator

08	FEATURES
-	Manual Drain
A	Internal Auto Drain

09	CONFIG
-	REGULAR
C1	CONFIG 1
C2	CONFIG 2
C3	CONFIG 3
⋮	⋮
C9	CONFIG 9
CA	CONFIG 10
CB	CONFIG 11

10	VERSION
-	VERSION 0
V1	VERSION 1
V2	VERSION 2
V3	VERSION 3
⋮	⋮
V9	VERSION 9
VA	VERSION 10
VB	VERSION 11

**PD-FR2A**  
1/2" FILTER REGULATOR COMBO 40 $\mu\text{m}$  (STANDARD) ALUMINIUM-  
0.5 TO 10 BAR-BSP-PC BOWL-INTERNAL AUTODRAIN