

Automation
 Simplified...



Solenoid Valve

Angle Seat Valve

Rotary Coupling

Pneumatic Directional Control Valve

Actuator

Cylinder

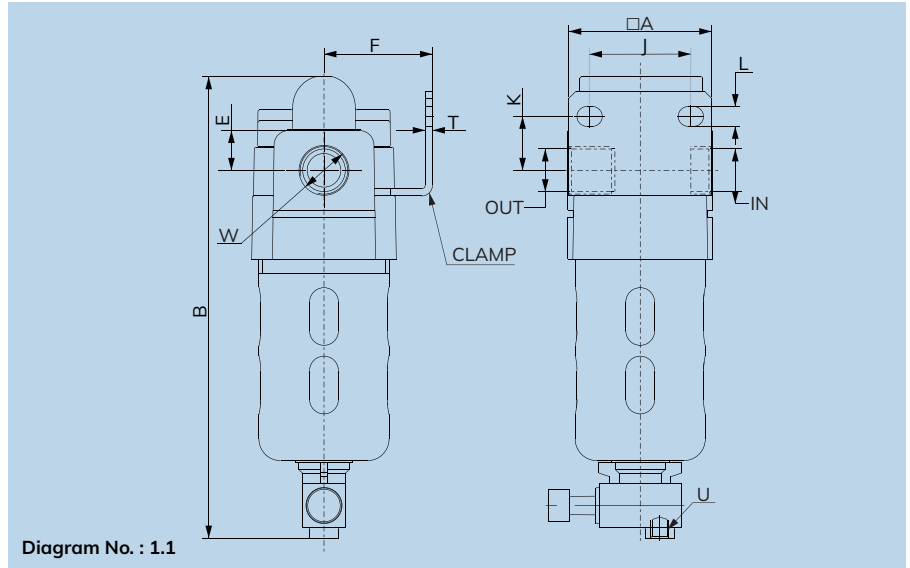
One Touch Fitting

Ball Valve

Butterfly Valve

Country of Origin - INDIA





Specifications

Model No.:	F1A106BV0	F1A706BV0	F1A206BV0	F1A306BV0	F1A406BV0
Media :	Compressed air				
Port Size:	G¼	G¾	G½	G¾	G1
Flow Rate LPM *:	800	2250	3500	5000	6500
Maximum Supply Pressure:	10 Bar				
Ambient Temperature:	Manual Drain: -10°C to +50°C, Semi Auto Drain: +5°C to +50°C				
Media Temperature:	+5°C to +50°C				
Filtration (µm)	1, 5, 25, 40 (Standard), 50, 100				
Bowl Capacity (ml): (at maximum oil level)	9	32	44	165	165
Bowl Material:	Polycarbonate				
Installation:	Vertical (as in the picture)				
Materials of construction:	Aluminium, Bronze, Steel, Acetal, Polycarbonate, SS, Nitrile				
Optional accessories:	Clamp, Modular mounting kit				

*Supply Pressure 6 bar, pressure drop Δp = 0.5bar (For Standard Models)

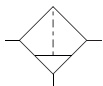
Features

- Conforms to ISO 5782 -1
- Suitable for modular mounting
- Press type Manual drain for easy operation
- Bronze filtering element
- Separator and shield for efficient moisture separation

Precautions

- Note the direction of flow before installation and connect piping accordingly.
- Flush pipings for dirt, dust, rust and other foreign particles.
- Install in clean atmosphere.
- Nipples of taper threads to be used with teflon tape. Ensure teflon tape does not enter the unit during tightening.
- Nipples of straight threads to be used with sealing washer.
- Polycarbonate bowls may get damaged and possibly fail if exposed to synthetic oils, thinner, solvents, trichloroethylene, kerosene or other aromatic hydrocarbons.

Symbol



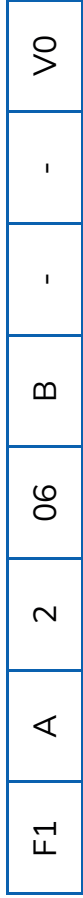
Technical Data

Model No.	Diagram No.	W	A	B	E	F	J	K	L	T	U
F1A106BV0	1.1	¼"	40	128	11	30	28	15	5.5	2	M5
F1A706BV0	1.1	¾"	55	140	14	40	40	25	6.5	2	M5
F1A206BV0	1.1	½"	70	170	18	50	55	25	8.5	2	M5
F1A306BV0	1.1	¾"	90	260	24	70	66	35	11	5	M5
F1A406BV0	1.1	1"	90	260	24	70	66	35	11	5	M5

Technical Data

Model No.	Diagram No.	W	V	A	B	E	F	ØG	J	J2	L	T	U
F1A106BV0-R1A106BV0-L1A106BV0-MKFRL1V0	1.1	¼"	⅛"	145	170	68	34	25	50	52	7	7	M5
F1A706BV0-R1A706BV0-L1A706BV0-MKFRL7V0	1.1	⅜"	⅛"	192	220	95	45	40	70	69	7	7	M5
F1A206BV0-R1A206BV0-L1A206BV0-MKFRL2V0	1.1	½"	⅛"	242	275	124	53	47	90	86	9	9	M5
F1A306BV0-R1A306BV0-L1A306BV0-MKFRL3V0	1.1	¾"	¼"	300	366	130	70	51	100	105	12	10	M5
F1A406BV0-R1A406BV0-L1A406BV0-MKFRL3V0	1.1	1"	¼"	300	366	130	70	51	100	105	12	10	M5

AIR PREPARATION UNITS VALVE MODEL IDENTIFICATION CHART



PRODUCT TYPE	BODY MATERIAL	PORT SIZE	PRESSURE RANGE	Port Connection	FEATURES	CONFIGURATION	VERSION
F1	A	1	06	B	REGULAR	-	V0
FR		7		N	Regulator With NRV	C1	V1
L1		2			Internal Autodrain	C2	V2
R1		3			With Metal bowl	C3	V3
S1		4			With Modular	⋮	⋮
					Without Piping Adaptor	C9	V9
					With Pressure Gauge	CA	VA
					With Service Indicator	CB	VB
							VERSION 10
							VERSION 11

F1A206BV0
1/2" FILTER ALUMINIUM-0.5 TO 10 Bar-BSP

Note: The above chart is for identification purposes only, and it may not be possible to make all combinations for the above chart.

Global Presence...



Made In India



CONTACT US:

✉ sales@uflowvalve.com ☎ +91 851 109 8822 🌐 www.uflowvalve.com

📍 Uflow Automation, Ankur Industrial Complex, Survey No: 275/276, Plot No: 31, Nr. Intol Cast Pvt. Ltd. Shapar(Veraval) Dist.: Gujarat (India) - 360 024.