

Automation  
Simplified...



Solenoid Valve

Angle Seat Valve

Rotary Coupling

Pneumatic Directional Control Valve

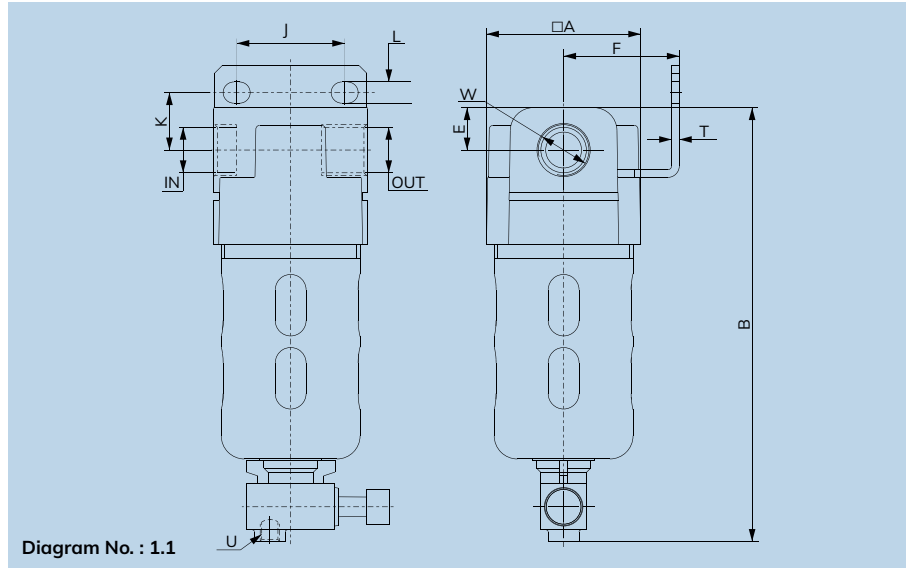
Actuator

Cylinder

One Touch Fitting

Ball Valve

Butterfly Valve



Specifications

Model No.:	FS1A106BV0		FS1A206BV0	
Medium:	Compressed air - Filtered			
Port Size:	G¼		G½	
Flow Rate(lts/min)*:	0.01	0.1	0.01	0.1
Flow Rate(lts/min)*:	250	275	1500	2000
Maximum Supply Pressure:	10 Bar			
Ambient Temperature:	-10°C to +50°C			
Medium Temperature:	+5°C to +50°C			
Bowl Capacity (ml): (at maximum oil level)	9		44	
Bowl Material:	Polycarbonate			
Installation:	Vertical (as in the picture)			
Installation:	These type of mist separators are used in Chemical, Pharmaceutical, Food processing industry, Paintshops and for other precision pneumatic systems.			
Materials of construction:	Aluminium, Bronze, Steel, Acetal, Polycarbonate, SS, Nitrile			
Optional accessories:	Clamp, Modular mounting kit			

\*Supply Pressure 6 bar, pressure drop Δp = 0.3bar (For Standard Models)

Features

- Borosilicate filtering element
- 99.99% compressed filtered air upto 0.01micron to 0.1 micron
- Suitable for Modular mounting
- Press type Manual drain for easy operation
- Separator for efficient moisture separation

Precautions

- Mount the mist separator in line, next to a standard air filter series F1with 5 micron filter element.
- Note the direction of flow before installation and connect piping accordingly.
- Flush pipings for dirt, dust,rust and other foreign particles.
- Install in clean atmosphere.
- Nipples of taper threads (R) to be usedwith teflon tape. Ensure Teflon tape does not enter the unit during tightening. Nipples of straight threads (G) to be used with sealing washer.
- Polycarbonate bowls may get damaged and possibly fail if exposed to synthetic oils, thinner, solvents, trichloroethylene kerosene or other aromatic hydrocarbons.

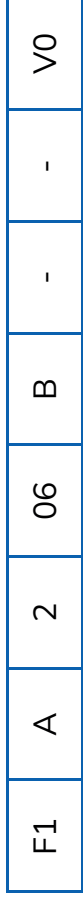
Function

- Removes submicronic oil, water droplets and solid contaminants from compressed air.
- Used for high efficient filtration of compressed air, removing fine oil particles and droplets of sizes upto 0.01 microns

Technical Data

Model No.	Diagram No.	W	A	B	E	F	J	K	L	T	U
FS1A106BV0	1.1	¼"	40	113	11	30	28	15	5.5	2	M5
FS1A206BV0	1.1	½"	70	172	18	50	55	25	8.5	2	M5

# AIR PREPARATION UNITS VALVE MODEL IDENTIFICATION CHART



PRODUCT TYPE	BODY MATERIAL	PORT SIZE	PRESSURE RANGE	Port Connection	FEATURES	CONFIGURATION	VERSION
F1	A	1	06	B	REGULAR	-	V0
FR		7		N	Regulator With NRV	C1	V1
L1		2			Internal Autodrain	C2	V2
R1		3			With Metal bowl	C3	V3
S1		4			With Modular	⋮	⋮
					Without Piping Adaptor	C9	V9
					With Pressure Gauge	CA	VA
					With Service Indicator	CB	VB
							VERSION 10
							VERSION 11

**F1A206BV0**  
1/2" FILTER ALUMINIUM-0.5 TO 10 Bar-BSP



Note: The above chart is for identification purposes only, and it may not be possible to make all combinations for the above chart.

# Global Presence...



Made In India



## CONTACT US:

✉ [sales@uflowvalve.com](mailto:sales@uflowvalve.com) ☎ +91 851 109 8822 🌐 [www.uflowvalve.com](http://www.uflowvalve.com)

📍 Uflow Automation, Ankur Industrial Complex, Survey No: 275/276, Plot No: 31, Nr. Intol Cast Pvt. Ltd. Shapar(Veraval) Dist.: Gujarat (India) - 360 024.